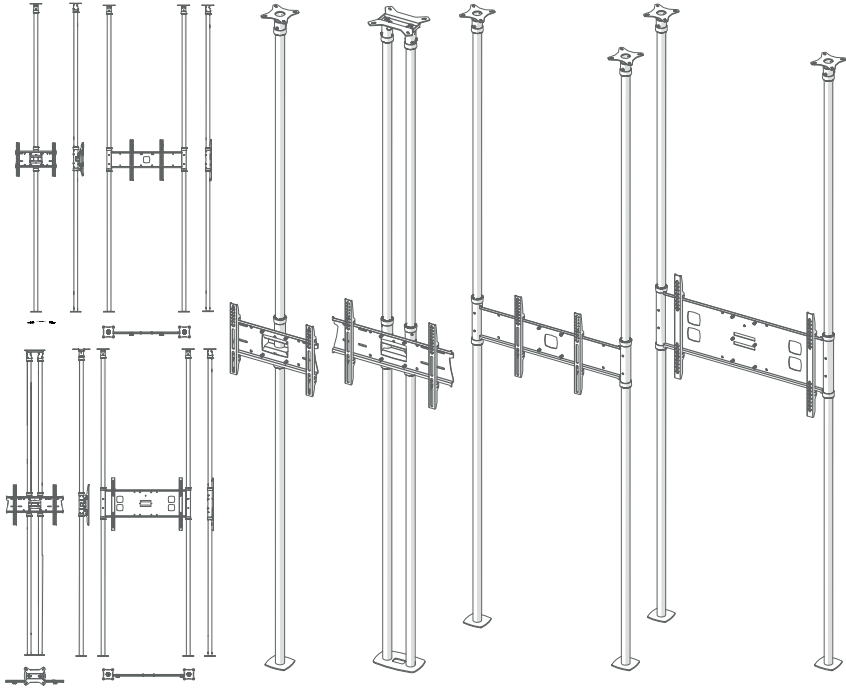




FCUS3 / FCUD3 / FCAS1 / FCAD1 / FCGS1 / FCGD1 / FCGSH / FCGDH / FCGSH10



Screen Size: 33 - 110" | **Guide Max. Weight:** 60-150kg

Please check model specific details before installing

Revised 12/04/24

WARNING

Please carefully inspect the product before assembling. If you notice any apparent damage, call your carrier claims agent and do not continue the installation until it has been reviewed. Please watch for pinch points. Do not put your fingers between moveable parts. Do not tamper with or disassemble any spring loaded parts. Before installing, make sure that the supporting surface will support five times the combined load of the solution and the hardware. Never exceed the maximum load capacity. Please also layout all components to ensure that you have all of the required parts before proceeding (see BOM list on following page). Use of this product for anything other than its specified use may result in failure or personal injury. This product is intended for indoor use only. We recommend using a qualified trades person for installation. Use an assistant or lifting equipment to lift and position products.

For support, please call: +44 (0)1865 767676 or email: sales@unicol.com



#	TOOLS REQUIRED
1	3/16 th Allen Key
2	Pozidrive Screwdriver
3	17mm Spanner

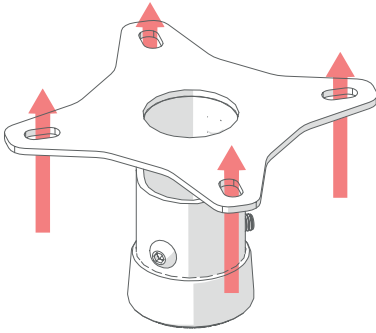
INSTALLERS REQUIRED
1-2

COMPONENTS

The diagram shows the following components:

- 1: Two 2m Chrome Columns (SC, TC, GP)
- 2: CP1 Ceiling Plate (SC, GP)
- 3: AP8 Ceiling Plate (TC)
- 4: PS6U1/PS6UT1 Column Adapter (SC)
- 5: PS6A1/PS8A1 Column Adapter (TC)
- 6: Span Bar FCSI/FCS4/FCS10 (GP)
- 7: PZX Universal Mount Backplate (SC, TC)
- 8: PZX Universal Mount Arms (All)
- 9: FP1 Floor Plate (SC, GP)
- 10: FP3 Floor Plate (TC)
- 11: FCAVM In-Fill Panels (TC)
- 12: ESF Floor Plate (cable aperture) (SC, GP)

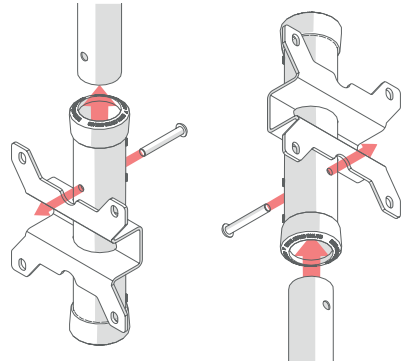
#	DESCRIPTION	QTY
<i>Key: Single-SC Twin-TC GoalPost-GP</i>		
1	2m Chrome Columns – SC (TC,GP)	2(4)
2	CP1 Ceiling Plate – SC (GP)	1(2)
3	AP8 Ceiling Plate – TC	1
4	PS6U1/PS6UT1 Column Adapter – SC	1
5	PS6A1/PS8A1 Column Adapter – TC	1
6	Span Bar FCSI/FCS4/FCS10 – GP	1
7	PZX Universal Mount Backplate – SC,TC	1
8	PZX Universal Mount Arms – All	2
9	FP1 Floor Plate – SC (GP)	1(2)
10	FP3 Floor Plate – TC	1
11	FCAVM In-Fill Panels – TC	set
12	ESF Floor Plate (cable aperture) – SC (GP)	1(2)



STEP 1

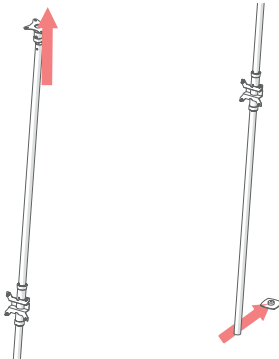
Using the 4 ceiling mounting slots, shown above, determine where you want to install your mount, mark, drill and fix into position.

Consider cabling & ceiling fixings prior to installation. Both suitable anchors and surface are to be capable of supporting 5x the combined solutions load.



STEP 2 (for back-to-back see page 5)

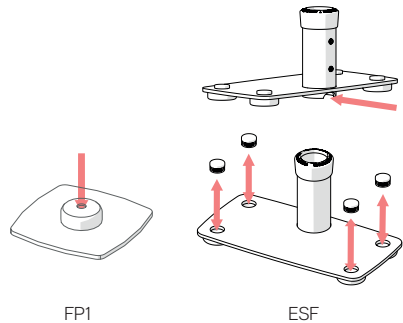
Cut columns to desired length so PS6U1 mount adapter is at the correct height for the screen. Fit columns into either end of the mount adapter ensuring the bracket folds are pointing towards the screen. Feed cables through columns and out through aperture in adapter. Secure with the through bolts provided and tighten grub screws.



STEP 3

Offer your assembled column up to the ceiling plate and gently push the column into the socket. Level the column assembly so that it is vertical and mark where the base plate needs to go.

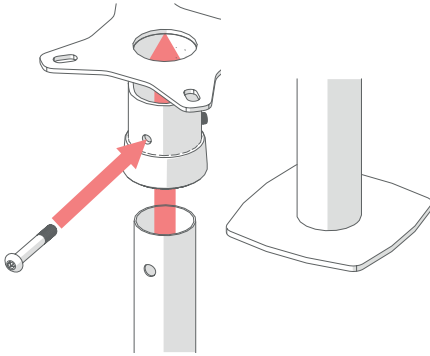
Remove the column solution and lay it on the floor.



STEP 4

Using the markings from Step 3, secure your floor plate into position. (Fixings not supplied).

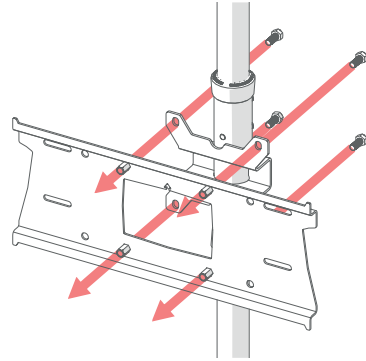
NOTE: If cabling from the floor swap FP1 with ESF. Remove bungs and fix to floor (fixings not provided). Cables enter under ESF floor plate, run through column and exit through aperture in mount adapter.



STEP 5

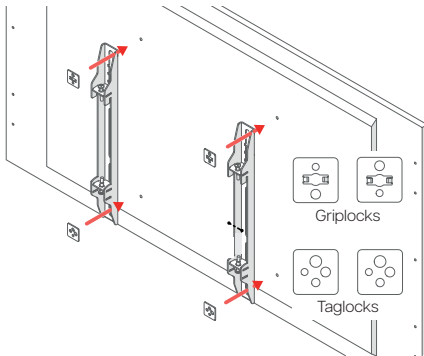
Push the column assembly into the top socket, then over bottom bush. Ensure the fixing holes align and using the through bolt, secure the column into place. Tighten any grub screws at the rear.

Cabling: Route cabling through aperture in ceiling plate and down column through adapter. For floor cabling, swap FP1 with ESF.



STEP 6

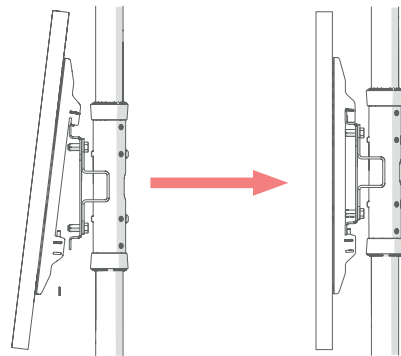
Fix the PZX back plate to the PS6U1 mount adapter using the 4 x M10 x 25 screws. Cables are fed through central aperture in back plate.



STEP 7

Utilising the grip locks (top), tag locks (bottom) and fixing pack provided with your mount, attach the arms to the back of your screen.

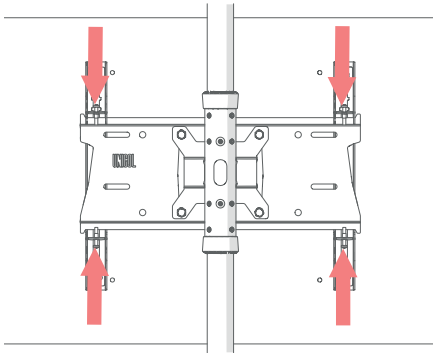
Ensure the arms are the correct way up before tightening - the 'hook' part of the arm should be at the top.



STEP 8

Using another team member, lift the screen up and gradually offer it up to the back plate. Gently tilting the screen forward, hook the arms over the rail of the back plate and lower into position.

Centre the screen horizontally by sliding from side to side to desired position.

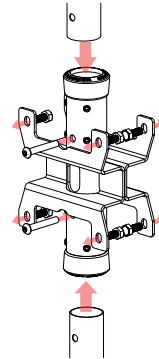


STEP 9

Once centered, ensure the bottom screws are not screwed tight and screw down the top screws to level the screen. Once level tighten bottom screws to secure the mount. ALT: If using tilting arms, this is when you can adjust them to suit.

Note that you won't be able to adjust the screen's position after the screws have been tightened.

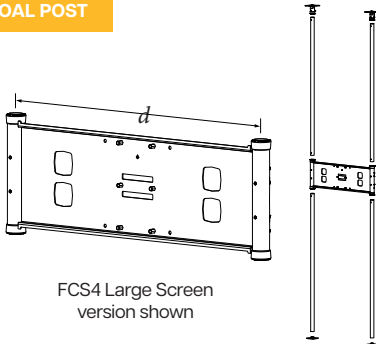
BACK TO BACK



STEP 2.5

Follow steps for single sided installation except at Step 2 where the PS6U1 adaptor is replaced with PS6UT1 twin screen adaptor shown above.

GOAL POST

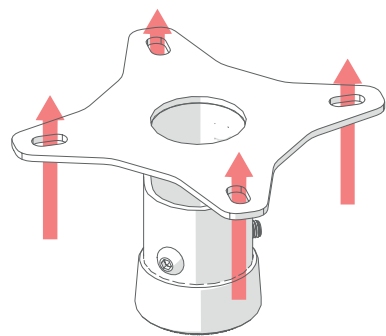


FCS4 Large Screen
 version shown

STEP 1

Goal post versions are assembled similar to single column versions but use twice the components, (CP1, FP1 & columns). FCS1, FCS4 or FCS10 span-bars join the columns together and replace mount adapters and backplates. They are screen size dependent.

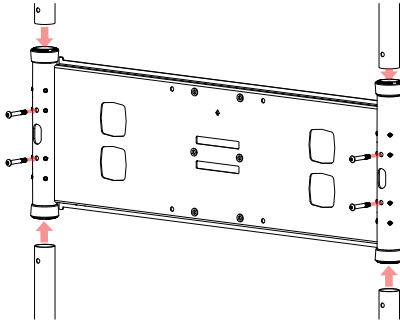
Identify the span-bar and measure the socket centre-to-centre distance (d).



STEP 2 (For back-to-back see page 7)

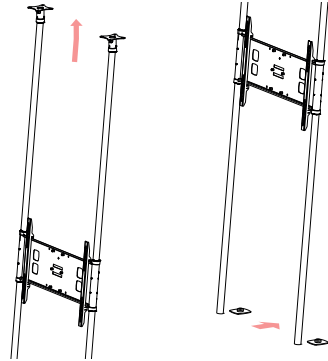
Using the socket to socket distance in Step 1 determine where you want to install your screen. Mark and fix 2 x CPT's into position.

Consider cabling & ceiling fixings prior to installation. Both suitable anchors and surface are to be capable of supporting 5x the combined solutions load.



STEP 3

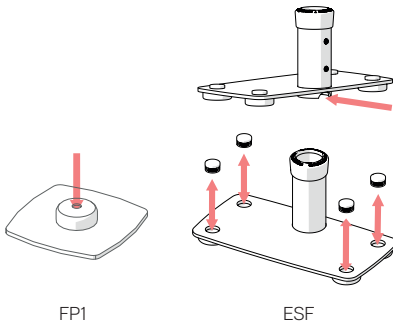
Cut columns to desired length so span-bar is at the correct height for the screen. Fit columns into sockets, top and bottom, either end of the span-bar. Feed cables through columns and out through aperture in socket. Secure with the through bolts provided and tighten grub screws.



STEP 4

With another person offer the assembled columns and span-bar up to the ceiling plates and gently push the columns into the ceiling plate sockets. Level the column assemblies so they are vertical and mark where the base plates are to be fixed.

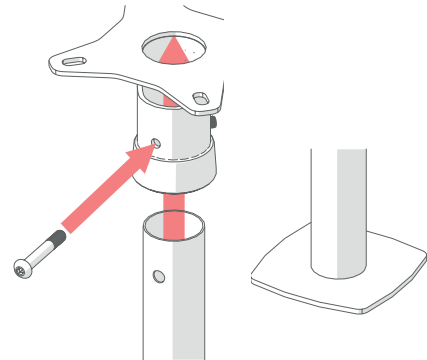
Remove the column solution and lay it on the floor.



STEP 5

Using the markings from Step 4, secure your floor plate into position. (Fixings not supplied).

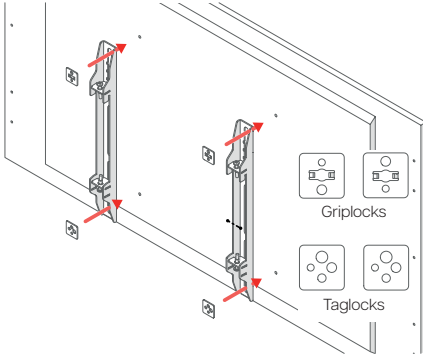
NOTE: If cabling from the floor swap FP1 with ESF. Remove bungs and fix to floor (fixings not provided). Cables enter under ESF floor plate, run through column and exit through aperture in mount adapter.



STEP 6

Push the column assembly into the top sockets, then over bottom bushes. Ensure the fixing holes align and using the through bolts, secure the columns into place. Tighten grub screws at the rear.

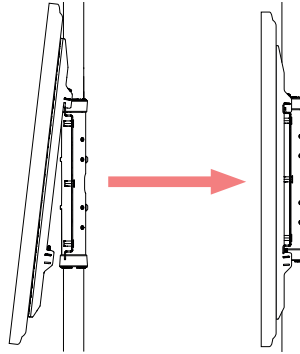
Cabling: Route through aperture in ceiling plate and down column. For floor cabling, swap FP1 with ESF. Cables exit through aperture in span-bar sockets.



STEP 7

Utilising the grip locks (top), tag locks (bottom) and fixing pack provided with your mount, attach the arms to the back of your screen.

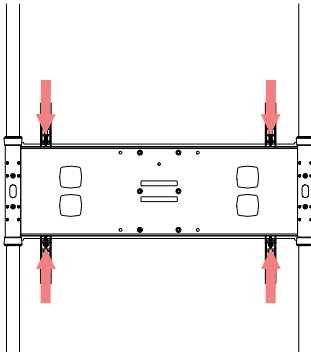
Ensure the arms are the correct way up before tightening - the 'hook' part of the arm should be at the top.



STEP 8

Using another team member, lift the screen up and gradually offer it up to the back plate. Gently tilting the screen forward, hook the arms over the rail of the back plate and lower into position.

Centre the screen horizontally by sliding from side to side to desired position.

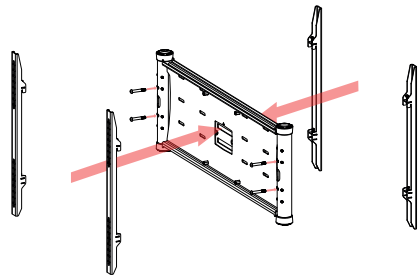


STEP 9

Once centred, ensure the bottom screws are not screwed tight and screw down the top screws to level the screen. Once level tighten bottom screws to secure the mount. ALT: If using tilting arms, this is when you can adjust them to suit.

Note that you won't be able to adjust the screen's position after the screws have been tightened.

BACK TO BACK

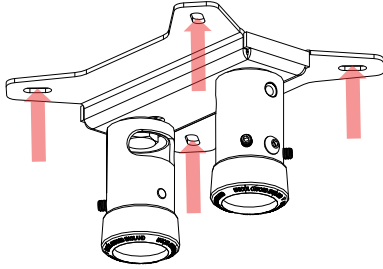


STEP 2.5

Follow steps for single sided installation except at Step 2 where the PS6U1 adaptor is replaced with PS6UT1 twin screen adaptor shown above.



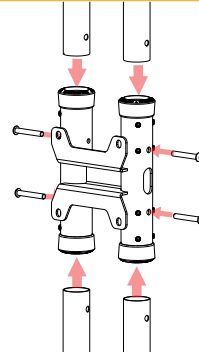
TWIN COLUMN



STEP 1

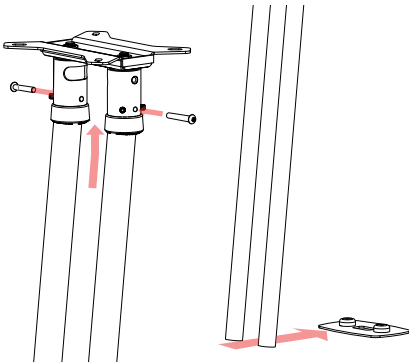
Using the 4 ceiling mounting slots, as shown above, determine where you want to install your mount, mark, drill and fix into position.

Consider cabling & ceiling fixings prior to installation. Both suitable anchors and surface are to be capable of supporting 5x the combined solutions load.



STEP 2 (For back-to-back see page 10)

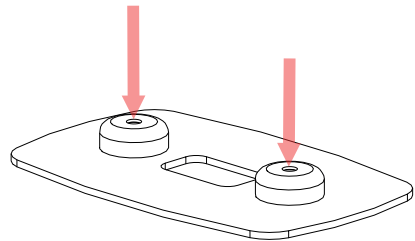
Cut columns to desired length so PS6V1 mount adapter is at the correct height for the screen. Fit columns into either end of the mount adapter ensuring the bracket folds are pointing towards the screen. Feed cables through columns and out through aperture in adapter. Secure with the through bolts provided and tighten grub screws.



STEP 3

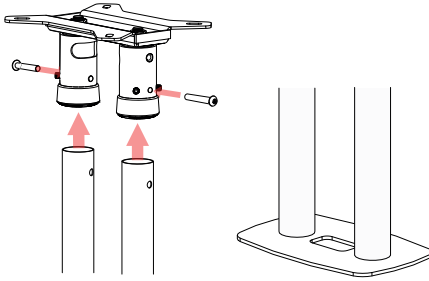
Offer your assembled column up to the ceiling plate and gently push the columns into the sockets. Level the column assembly so that it is vertical and mark where the base plate needs to go.

Remove the column solution and lay it on the floor.



STEP 4

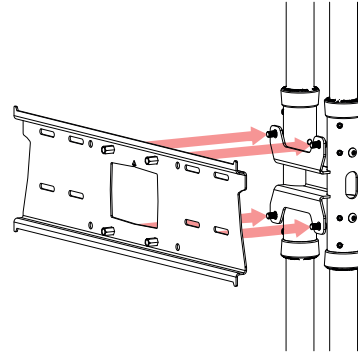
Using the markings from Step 3, secure the floor plate into position. (Fixings not supplied).



STEP 5

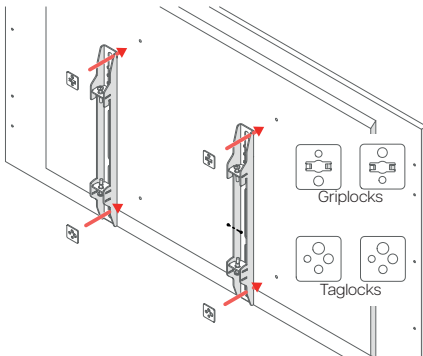
Push the column assembly into the top sockets, then over bottom bushes. Ensure the fixing holes align and using the through bolts, secure the columns into place. Tighten any grub screws at the rear.

Cabling: Route through aperture in ceiling plate and down column. For floor cabling use In-Fill Panels. Cables exit through apertures in adapter sockets.



STEP 6

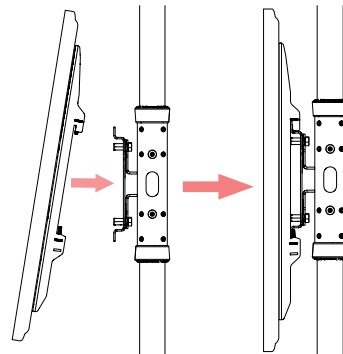
Fix the PZX back plate to the PS6V1 mount adapter using the 4 x M10 x 25 screws. Cables are fed through central aperture in back plate.



STEP 7

Utilising the grip locks (top), tag locks (bottom) and fixing pack provided with your mount, attach the arms to the back of your screen.

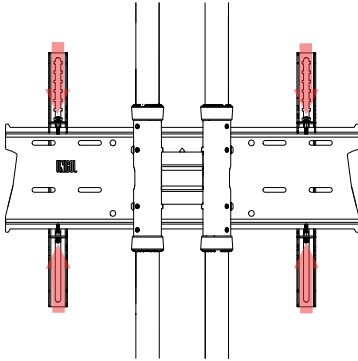
Ensure the arms are the correct way up before tightening - the 'hook' part of the arm should be at the top.



STEP 8

Using another team member, lift the screen up and gradually offer it up to the back plate. Gently tilting the screen forward, hook the arms over the rail of the back plate and lower into position.

Centre the screen horizontally by sliding from side to side to desired position.

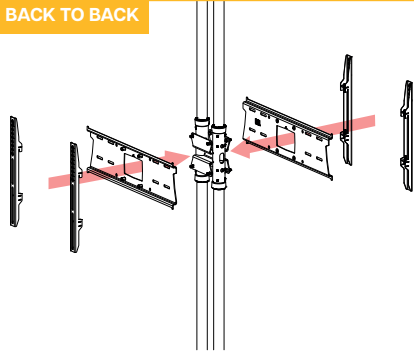


STEP 9

Once centred, ensure the bottom screws are not screwed tight and screw down the top screws to level the screen. Once level tighten bottom screws to secure the mount. ALT: If using tilting arms, this is when you can adjust them to suit.

Note that you won't be able to adjust the screen's position after the screws have been tightened.

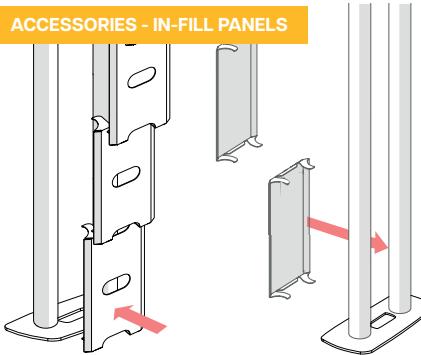
BACK TO BACK



STEP 10

Follow steps for single sided installation except at Step 2 where the PS6V1 adaptor is replaced with PSA81 twin screen adaptor shown above.

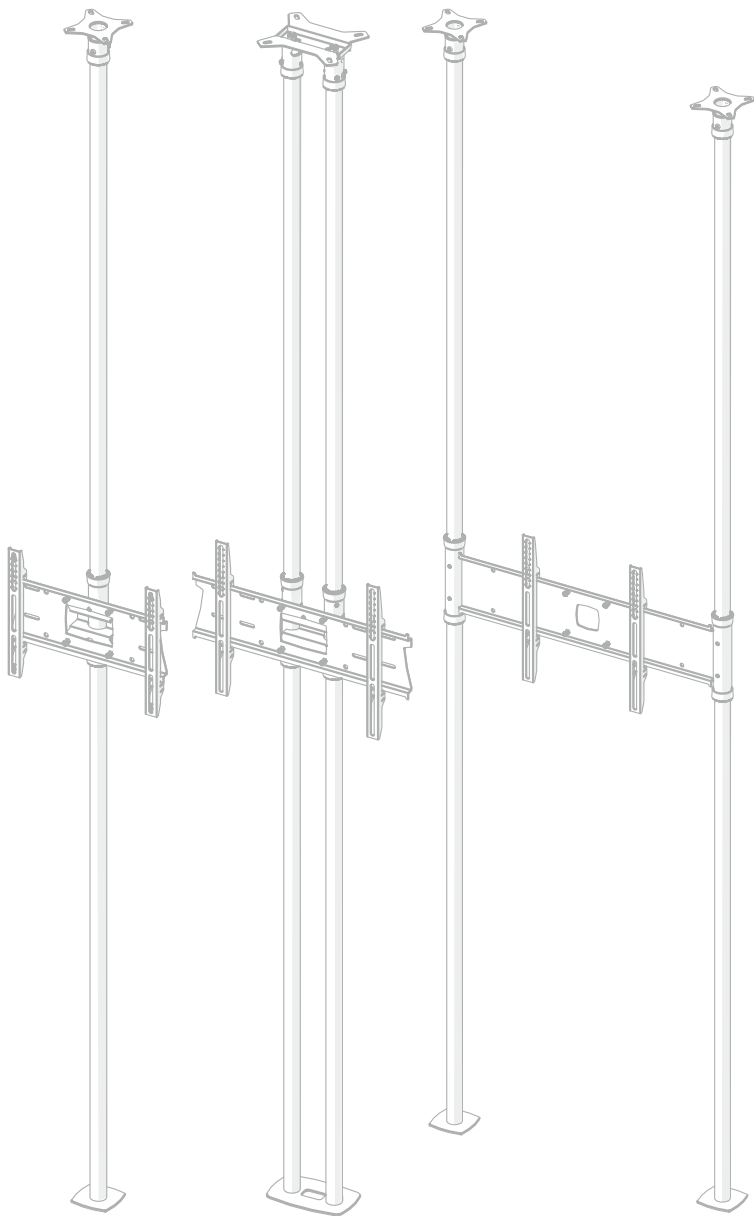
ACCESSORIES - IN-FILL PANELS



STEP 11 (OPTIONAL)

Twin Column versions have optional in-fill panels between columns for aesthetics or to aid cable management. Front panels are solid, rear panels have holes. Clip in starting at the bottom and working up.





Any Questions?