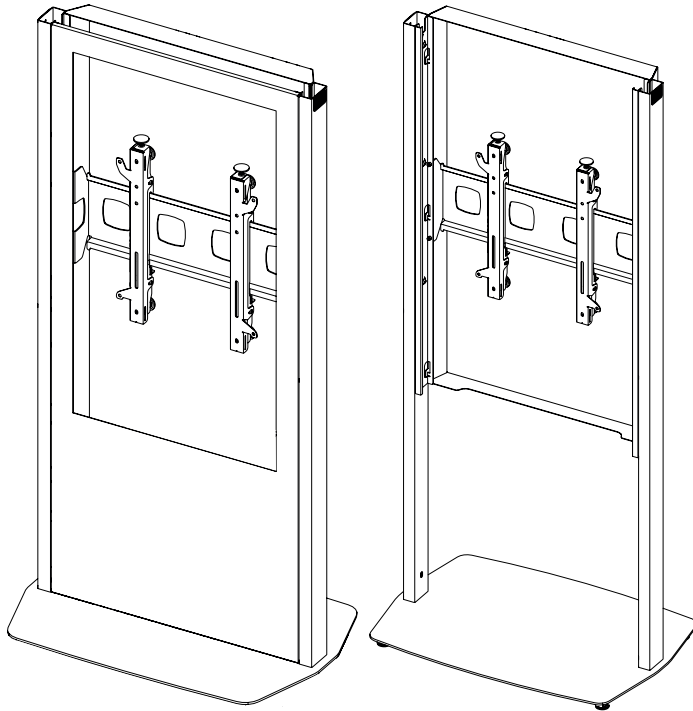




EDGE LINE (EKTC)



Screen Size: 30 - 79" | **Guide Max. Weight:** 60kg

Please check model specific details before installing

Revised 03/05/24

WARNING

Please carefully inspect the product before assembling. If you notice any apparent damage, call your carrier claims agent and do not continue the installation until it has been reviewed. Please watch for pinch points. Do not put your fingers between moveable parts. Do not tamper with or disassemble any spring loaded parts. Before installing, make sure that the supporting surface will support five times the combined load of the solution and the hardware. Never exceed the maximum load capacity. Please also layout all components to ensure that you have all of the required parts before proceeding (see BOM list on following page). Use of this product for anything other than its specified use may result in failure or personal injury. This product is intended for indoor use only. We recommend using a qualified trades person for installation. Use an assistant or lifting equipment to lift and position products.

For support, please call: +44 (0)1865 767676 or email: sales@unicol.com

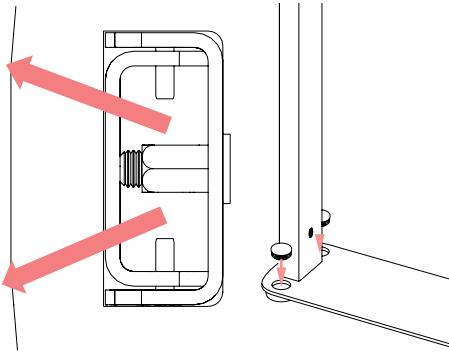


#	TOOLS REQUIRED
1	4mm & 5mm Allen Keys
2	Pozi Head Screwdriver

INSTALLERS REQUIRED
1-2

COMPONENTS

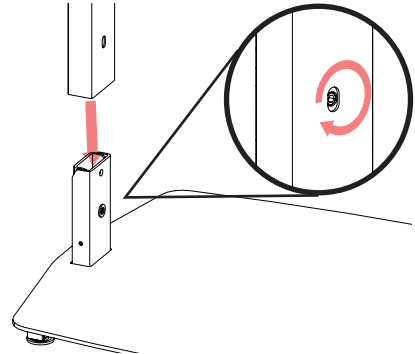
#	DESCRIPTION	QTY
1	Pair of EdgeLine Legs	2
2	Leg Mount Supports	2
3	Rear Cover	1
4	Screen Mount Arms	2
5	Screen Mount Bracket	1
6	Freestanding Base (Or #6)	1
7	Bolt Down Base (Or #5)	1
8	Front Cover (Totem Versions Only)	1



STEP 1

Check the jaws of the grips on the base, if you can push them together to fit an upright over, ignore this step. If you can't, you will need to loosen the screws on the grips to close them.

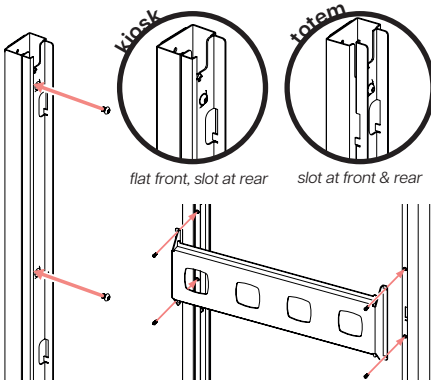
Thread cabling through bottom of base into grips as highlighted above. If installing a bolt down base - cover the fixin holes with the ribbed bungs.



STEP 2

Thread any floor-routed cabling through each upright and then slide the leg uprights over the column grips whilst ensuring cables are not caught.

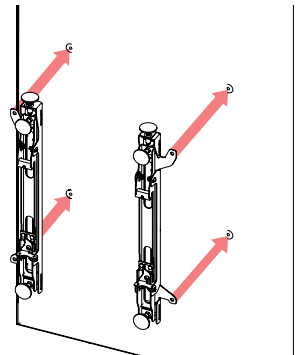
Tighten the screws on both crocodile clips. This will cause the grip to open and thus lock the leg uprights in place.



STEP 3

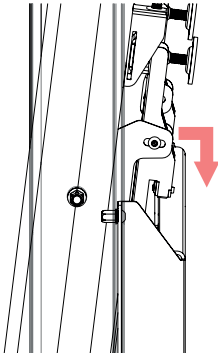
With both legs fixed into position, attach the leg mount supports to each upright. Ensure the slot cut-out is facing the right direction as shown above.

Once each support is fixed to the legs, take the screen mount bracket and affix to the centre fixing points on each leg, as pictured above.



STEP 4

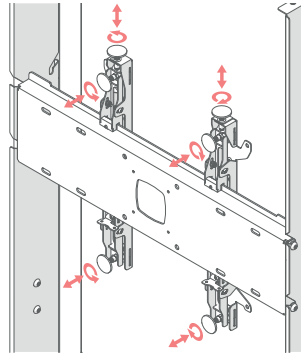
Locate the mounting holes on the back of your screen. Line the two mounting arms up (position arm hooks at the top of the screen) and using the tag locks and manufacturer recommended screws, attach the arms to the back of the screen.



STEP 5

Using another team member, lift the screen up and gradually offer it up to the back plate. Gently tilting the screen forward, hook the arms over the lip of the back plate and lower once in position.

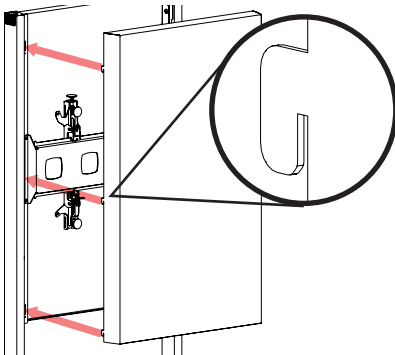
Centre the screen horizontally by sliding from side to side until you are happy with the position.



STEP 6

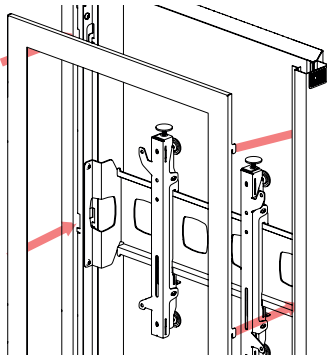
Adjust the mount arm handwheels to accurately position screen within the aperture. Once happy, tighten the arms on the mount by turning the locking lever through 90°.

Cable and connect everything up.



STEP 7

Locate rear cover and make sure that the hooks, shown above, are facing downwards. Offering the rear cover up to the uprights, line each hook up with the slots located in the legs and gently drop into position.



STEP 7B (totem-style only)

Locate front cover and make sure that the hooks, shown in step 7, are facing downwards. Offering the front cover up to the uprights, line each hook up with the slots located in the legs and gently drop into position.