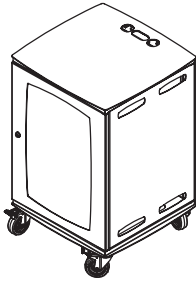
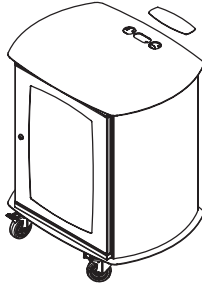




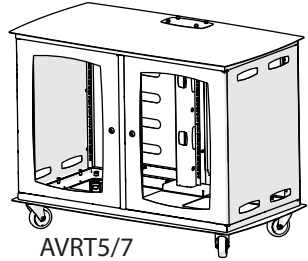
## AVR5 & 7 / AVR9 / AVRT5 & 7



**AVR5/7**  
 500(w) x 700(h)  
 x 500(d) / 700(d)

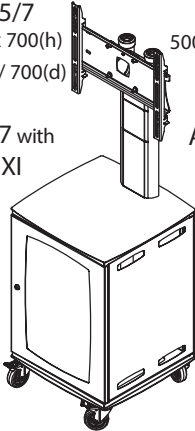


**AVR9**  
 500(w) x 700(h)  
 x 500(d)

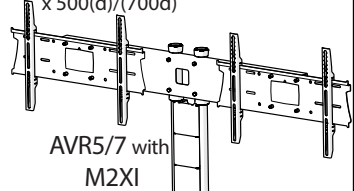
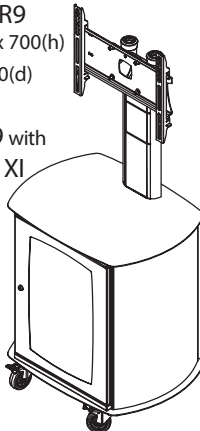


**AVRT5/7**  
 1015(w) x 700(h)  
 x 500(d)/(700d)

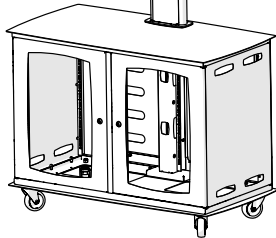
**AVR5/7 with  
 M1XI**



**AVR9 with  
 M1XI**



**AVR5/7 with  
 M2XI**



**Screen Size: 33-57"**      **Guide Max. Weight: 120kg**  
*\*Please check model specific details before installing\**

**Revised 03/04/23**

### WARNING

Please carefully inspect the product before assembling. If you notice any apparent damage, call your carrier claims agent and do not continue the installation until it has been reviewed. Please watch for pinch points. Do not put your fingers between moveable parts. Do not tamper with or disassemble any spring loaded parts. Before installing, make sure that the supporting surface will support five times the combined load of the solution and the hardware. Never exceed the maximum load capacity. Please also layout all components to ensure that you have all of the required parts before proceeding (see BOM list on following page). Use of this product for anything other than its specified use may result in failure or personal injury. This product is intended for indoor use only. We recommend using a qualified trades person for installation. Use an assistant or lifting equipment to lift and position products.

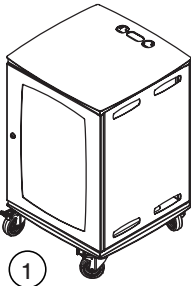
*For support, please call: +44 (0)1865 767676 or email: sales@unicol.com*



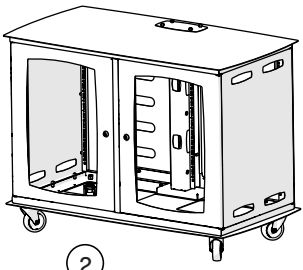
#	TOOLS REQUIRED
1	3/16 <sup>th</sup> Allen Key
2	M4 Allen Key
3	M5 Allen Key
4	17mm Spanner
5	Pozidrive Screwdriver

INSTALLERS REQUIRED
1-2


## COMPONENTS




1




2



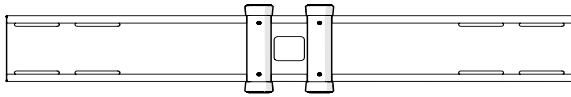
3




4



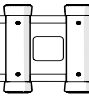
5




6




7



8



9

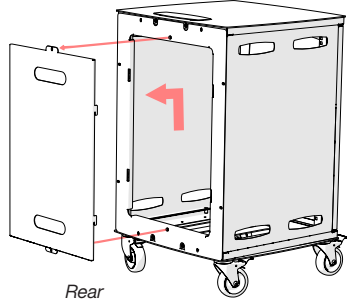
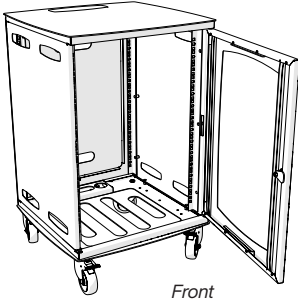


10

#	DESCRIPTION	QTY
1	Single Cabinet Complete	1
2	Twin Cabinet Complete	1
3	M1X1 Columns / (M2X1 - Twin)	2
4	AV2 Mount Adapter - Single	1
5	Black Plastic Column Caps	2
6	PZX Mount Back Plate (Twin)	1(2)
7	PZX Mount Arms (Twin)	2(4)
8	Span Bar - Twin	1
9	Front & Rear Column Covers (Set)	1
10	Top Surface Column Blanking Plate	1



## AVR5, 7 & 9



### STEP 1

Place on a stable flat floor and apply brakes by pressing down the levers on each castor.

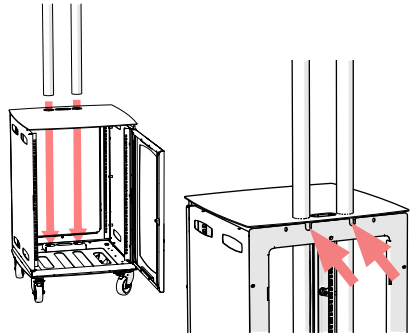
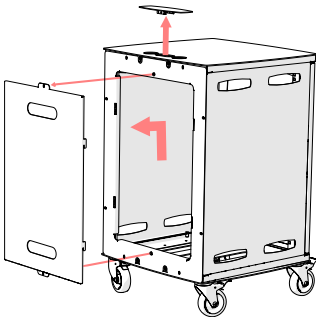
Open front door with keys provided.

### STEP 2

Working from the rear remove button head screws holding rear cover on. Lift cover upwards and pull free out of slots.

Fit AV devices to racks struts and cable up. Refit rear cover by reversing previous process. Complete functional test to complete installation.

## COLUMN INSTALLATION



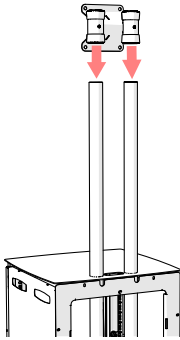
### STEP 3

If you want to fit a screen above the cabinet there is a kit of parts M1X1 that enable this. It consists of 2 columns, a screen mount and infill panels.

Open front door and remove rear cover as described in Step 2. Un-clip column blanking plate to gain access.

### STEP 4

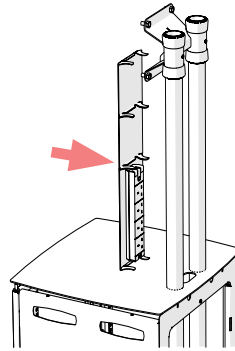
Place the 2 columns through the holes and locate into column holder in base. Loosely tighten grub screws in rear frame panel at top and bottom.



### STEP 2

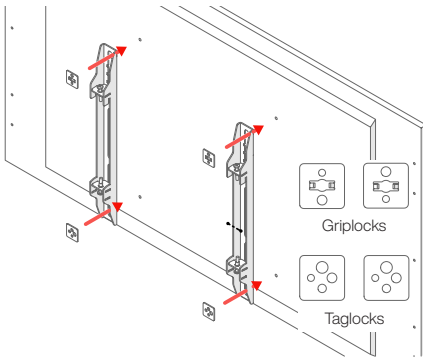
Fit AV2 screen adapter over columns and secure by tightening grub screws in rear of sockets. Tighten all grub screws in rear of cabinet frame.

Fit black plastic column caps into the column tops.



### STEP 3

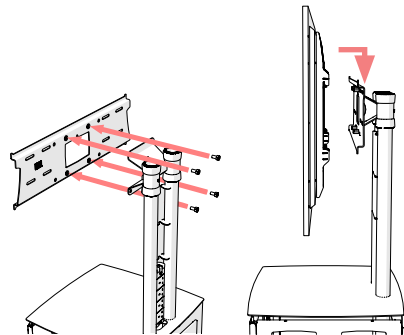
Fit front column covers by clipping them into place between the columns. There is a long cover with 4-way power socket fitted, which goes at the bottom followed by 2 shorter covers above. The covers without cut-outs are placed at the front.



### STEP 4

Fit screen mount arms to screen utilising the grip locks (top), tag locks (bottom) and fixing pack provided with your mount, attach the arms to the back of your screen.

Ensure the arms are the correct way up before tightening - the 'hook' part of the arm should be at the top.

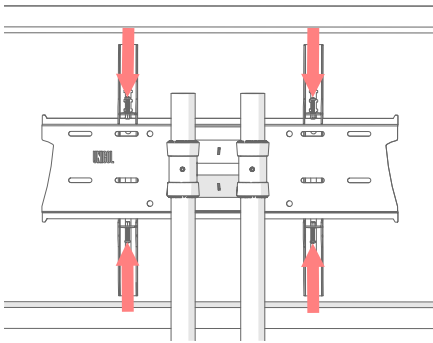


### STEP 5

Fit screen mount back plate to the AV2 using 4 x M10 Hex screws provided.

Using another team member, lift the screen up and gradually offer it up to the back plate. Gently tilting the screen forward, hook the arms over the rail of the back plate and lower into position.

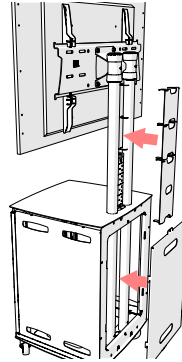
Centre the screen horizontally by sliding from side to side to desired position.



## STEP 6

Once centred, ensure the bottom screws are not screwed tight and screw down the top screws to level the screen. Once level tighten bottom screws to secure the mount. ALT: If using tilting arms, this is when you can adjust them to suit.

Note that you won't be able to adjust the screen's position after the screws have been tightened.

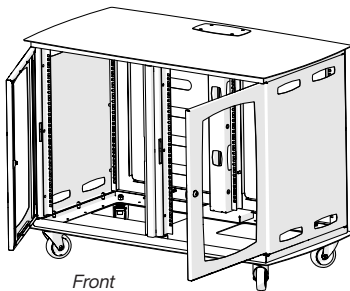


## STEP 7

Cable up your screen by removing the rear cabinet door for access. Cables can be routed from the cabinet through the front cover panels up to the screen.

After cabling refit rear door and fit rear cover panels by clicking in place to finish installation.

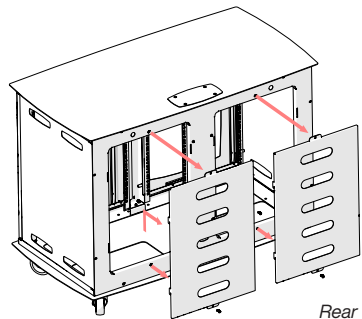
## TWIN CABINET



## STEP 1

The AVRT5 & 7 without Twin Screen Mounting kit M2X1 follow the same steps as AVR5 & 7. The only difference is that the unit is wider, has 2 doors and supporting uprights in the centre.

Open doors to gain access using keys supplied.



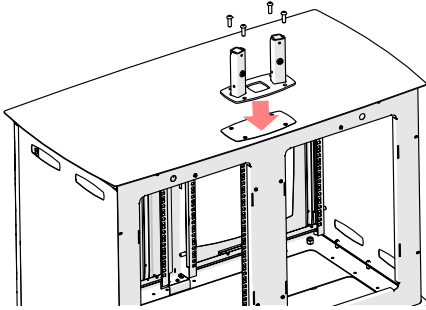
## STEP 2

Working from the rear remove button head screws holding rear covers on. Lift covers upwards and pull free out of slots.

Fit AV devices to racks struts and cable up. Refit rear cover by reversing previous process. Complete functional test to complete installation.

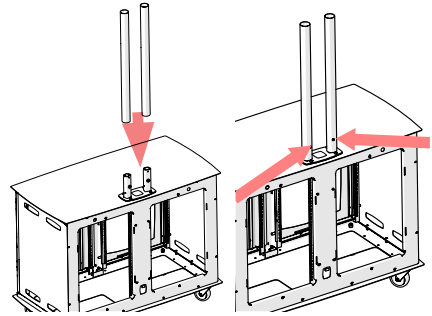


**TWIN CABINET – TWIN SCREEN**



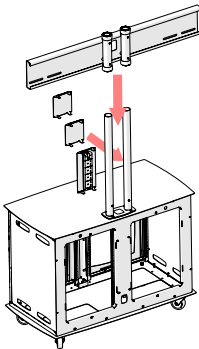
**STEP 1**

If not already fitted, identify column clamp unit and fix to the top using 4 domed head screws provided.



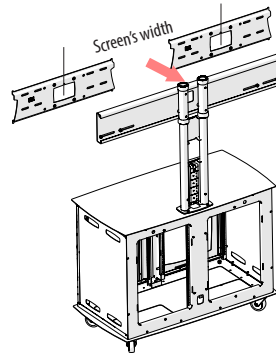
**STEP 2**

Place columns over clamps so that column holes are at the bottom - revolve to align hole with grub screw in clamp. Tighten using allen key provided.



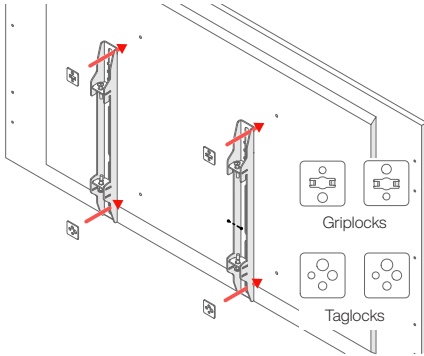
**STEP 3**

Identify Column Inserts (the front ones have no cut-outs) and clip the fronts only in between the columns with the 4-way power socket at bottom. Fit the span-bar over the columns and fix by tightening the grub screws.



**STEP 4**

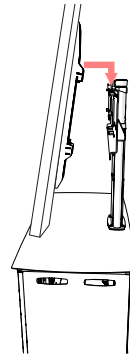
Fit the 2 mount back plates to the span bar loosely. Adjust each back plate so that the centre of each plate is your screens width apart. Tighten screws. (There is fine adjustment when the screens are fitted).



### STEP 5

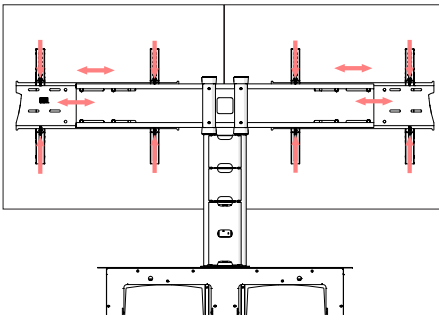
Fit screen mount arms to each screen utilising the grip locks (top), tag locks (bottom) and fixing pack provided with your mount, attach the arms to the back of each screen.

Ensure the arms are the correct way up before tightening - the 'hook' part of the arm should be at the top.



### STEP 6

Using another team member, lift each screen up in turn and gradually offer them up to each back plate. Gently tilting each screen forward, hook the arms over the rail of each back plate and lower into position.

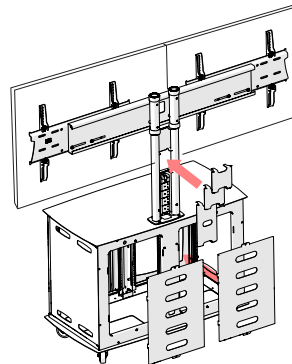


### STEP 7

Adjust screens so they butt up to each other in the centre of the columns by sliding screens on the back plate rails.

The screens can be levelled by screwing in or out the top screws on the arms. Once levelled tighten arm securing screws on the bottom of the arms.

Note that you won't be able to adjust the screen's position after the screws have been tightened.



### STEP 8

Cable up routing through the inserts to the screens.

To finish the installation clip on the rear insert covers and fit rear panel covers.

Carry out functional test.