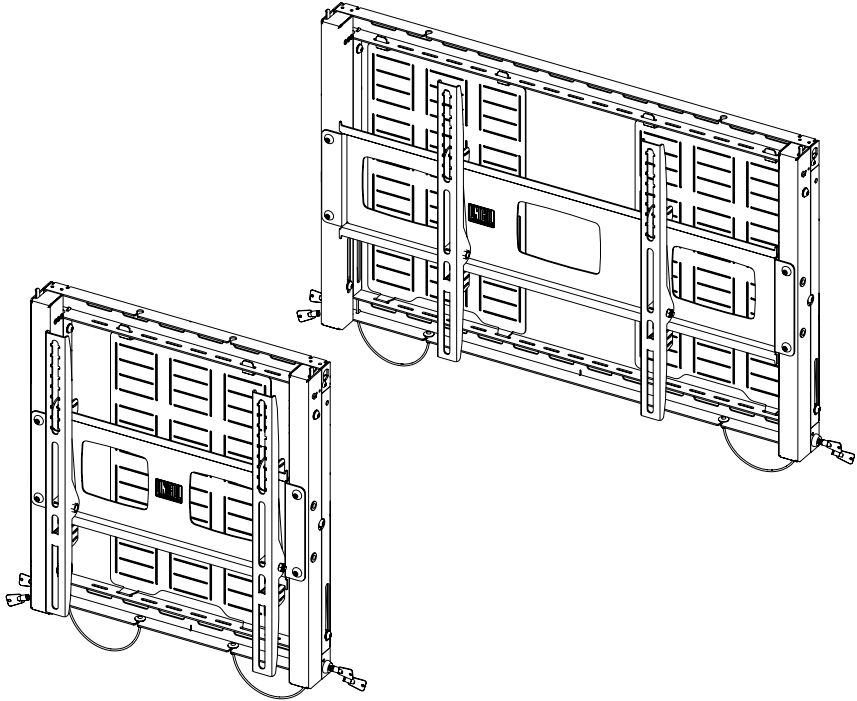




ASMW1 & ASMW2



Screen Size: 50 - 75" | **Guide Max. Weight:** 60kg

Please check model specific details before installing

Revised 07/06/24

WARNING

Please carefully inspect the product before assembling. If you notice any apparent damage, call your carrier claims agent and do not continue the installation until it has been reviewed. Please watch for pinch points. Do not put your fingers between moveable parts. Do not tamper with or disassemble any spring loaded parts. Before installing, make sure that the supporting surface will support five times the combined load of the solution and the hardware. Never exceed the maximum load capacity. Please also layout all components to ensure that you have all of the required parts before proceeding (see BOM list on following page). Use of this product for anything other than its specified use may result in failure or personal injury. This product is intended for indoor use only. We recommend using a qualified trades person for installation. Use an assistant or lifting equipment to lift and position products.

For support, please call: +44 (0)1865 767676 or email: sales@unicol.com



#	TOOLS REQUIRED
1	Pozi Head Screwdriver

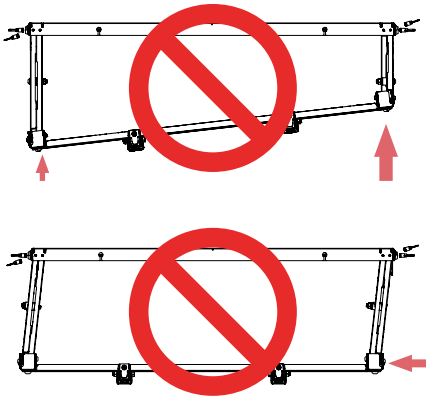
INSTALLERS REQUIRED
1-2

COMPONENTS

Adding sound bar, video conference camera, video bar or speaker mounts are explained on Step 6 (page 4).

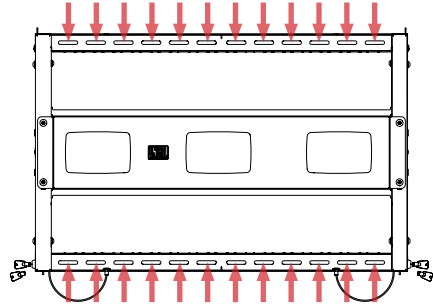
Mounting as Floor-to-Wall or Floor-to-Ceiling is included on page 6.

#	DESCRIPTION	QTY
1	ASMW1 Mount	1
2	Screen Mount Arms	2
3	AV Tray(s) (2 for ASMW1, 1 for ASMW2)	1-2
4	Alternative ASMW2 Mount	-



IMPORTANT INFORMATION

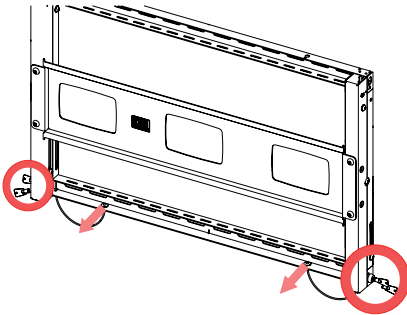
When opening and closing the screen bracket from the backplate, apply even force on each side so that the mount remains parallel (avoiding side-to-side movement) to the wall at all stages of travel.



STEP 1

Using the wall mounting slots cut out on the back plate, determine where you want to install your mount, mark it and fix into position.

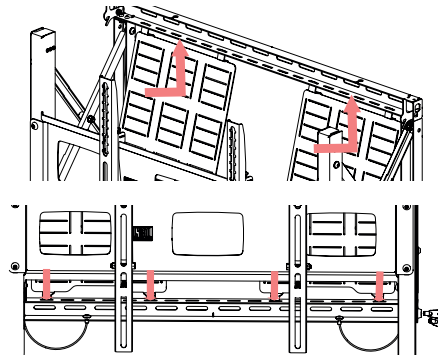
Please consider cabling and wall fixings prior to installation. Please check surface is capable of supporting 5x the combined solutions weight.



STEP 2

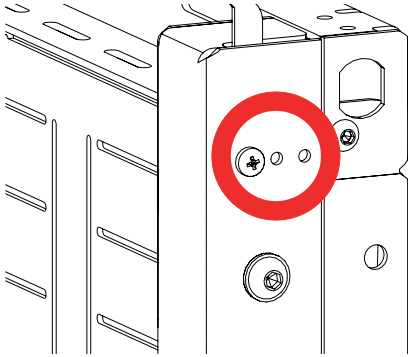
Remove the pull cords from their resting slot and unlock the bracket via the twin locks either side of the backplate.

Gently pull on each of the pull cords and the mount will unlatch, allowing you to pull the bracket open.



STEP 3

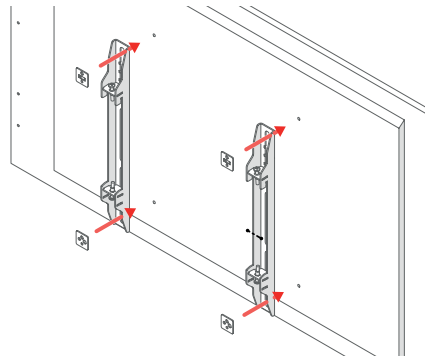
Populate each AV tray as required. To place into the ASMW mount, ensure that the mount is fully extended and holding the AV trays at the bottom, offer them up to slots within the top of the bracket (as shown above). Level the trays and guide the bottom pins to line up and drop into the slots on the bottom of the bracket.



STEP 4

Place the AV trays back into position and gently push the bracket back to the closed position (see page 5 for other tray positioning options).

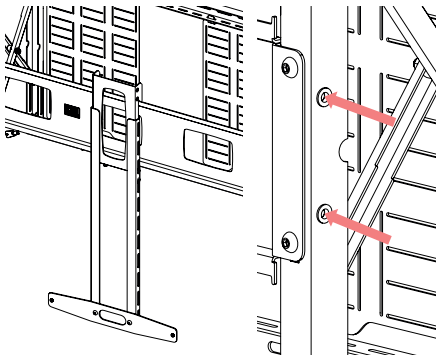
If you need additional depth, unscrew the points located in picture b and refix the bracket into one of the other 2 slots. Each slot is 10mm apart. Make sure you adjust both sides of the mount to match.



STEP 5

Utilising the tag locks and fixing pack provided with your mount, attach the arms to the back of your screen.

Ensure the arms are the correct way up before tightening - the 'hook' part of the arm should be at the top.

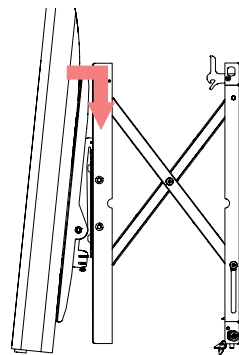


STEP 6

If you'd like to affix a sound bar, video conference camera, video bar or speaker, now is the time.

Our SBM1, VCSS1, VCTS1 and VCMP mounts hook onto the mount bracket as shown above left.

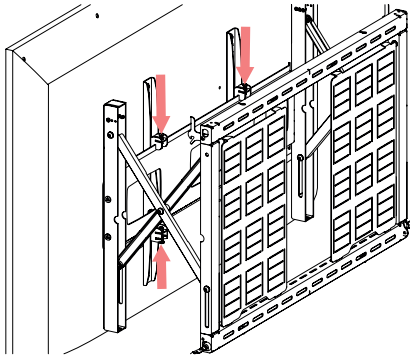
Side speaker mounts will fix into position via the the side of the bracket as shown above right.



STEP 7

Using another team member, lift the screen up and gradually offer it up to the back plate. Gently tilting the screen forward, hook the arms over the lip of the back plate and lower once in position.

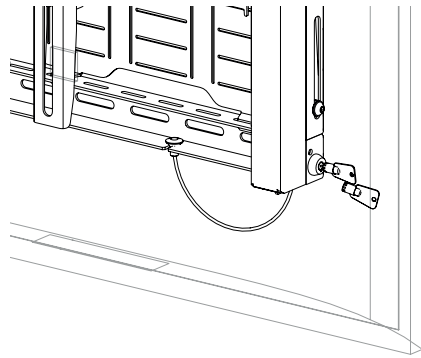
Centre the screen horizontally by sliding from side to side until you are happy with the position.



STEP 8

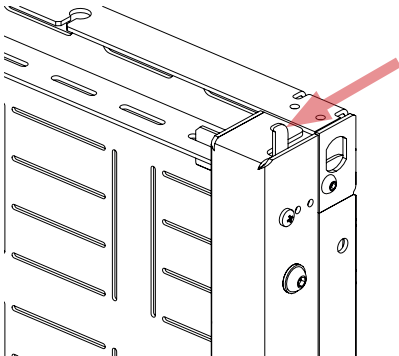
Once centered, ensure the bottom screws are not screwed tight and screw down the top screws to level the screen. Once level tighten bottom screws to secure the mount. ALT: If using tilting arms, this is when you can adjust them to suit.

Note that you won't be able to adjust the screens position after the screws have been tightened.



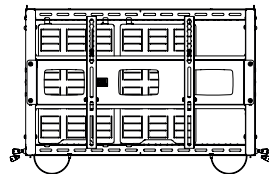
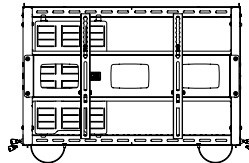
STEP 9

Push the mount back until it clicks closed. Place the pull cords back into their resting slots and lock the side locks to secure into position.



UNLATCHING POINTS

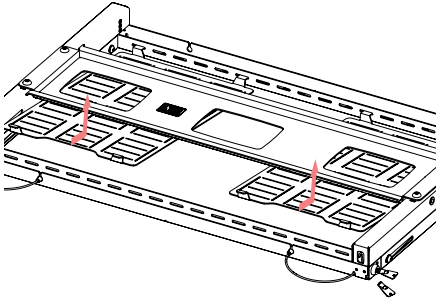
There are multiple points where you can unlatch the Accession mount. You will always need to unlock the bracket, but after this, you can either use the pull cords as highlighted throughout these instructions, or you can use the latches located at the top of the bracket.



AV TRAYS

Don't need to use both trays? Only place one back into position and keep the other tray as a spare that can be pre-populated for rapid maintenance.

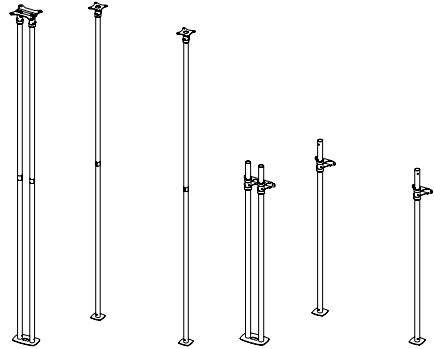
Sockets and cable inputs on one side? You can place the AV tray in any of the slots provided allowing you to place two side by side or apart to cater for input positions.



FLOOR-TO-CEILING / FLOOR-TO-WALL STEP 1

Place the Accession mount on a table or flat surface. Holding the AV trays at the bottom, push them up to unlatch the bottom pins and pull them out from under the screen bracket.

Populate each AV tray as required and keep to one side for the moment.



FLOOR-TO-CEILING / FLOOR-TO-WALL STEP 2

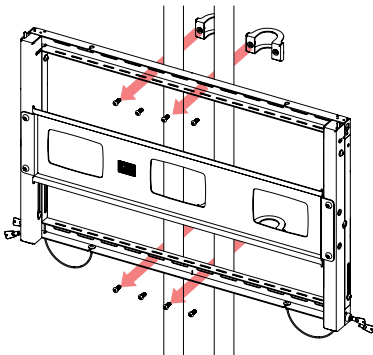
Floor-to-Ceiling

Install your columns as per your choice of floor plate and ceiling plate.



Floor-to-Wall

Install your columns as per your choice of floor plate and wall tie.



FLOOR-TO-CEILING / FLOOR-TO-WALL STEP 3

Determine the distance between each column and, with the help of another person, hold the ASMW into position and affix the VWPA5 U-Clamps via the mounting slot cut outs at the top and bottom of bracket.

Column centres can be 100 - 750mm apart.

FLOOR-TO-CEILING / FLOOR-TO-WALL

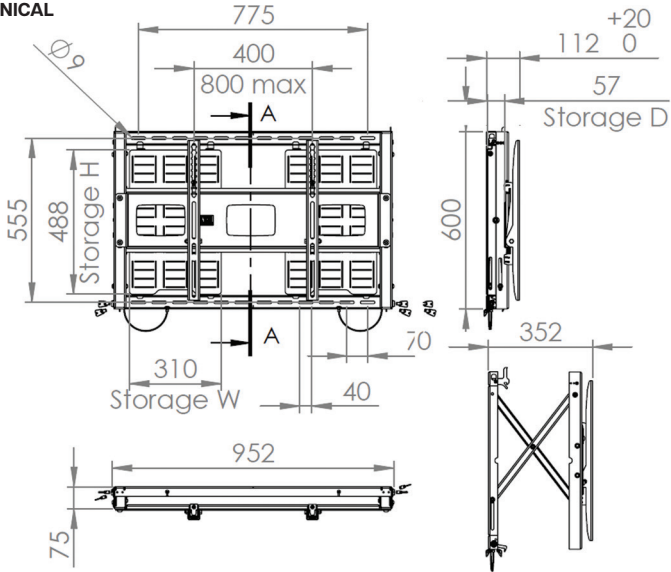
Follow the rest of the instructions from Step 3 on page 3 to finish installation.

Page 3

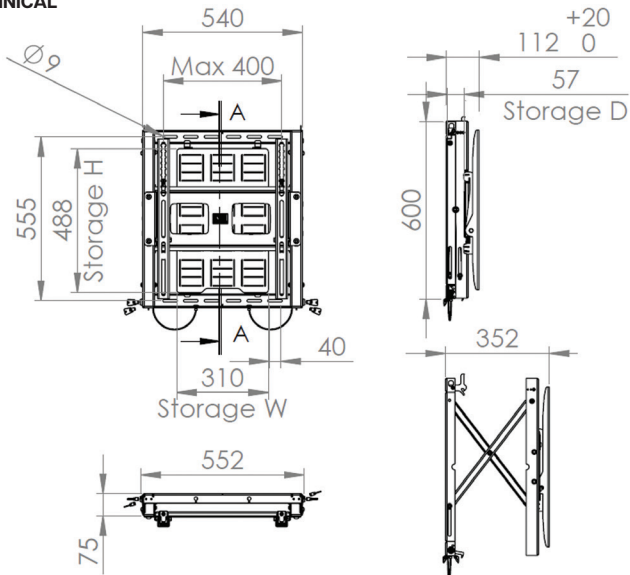


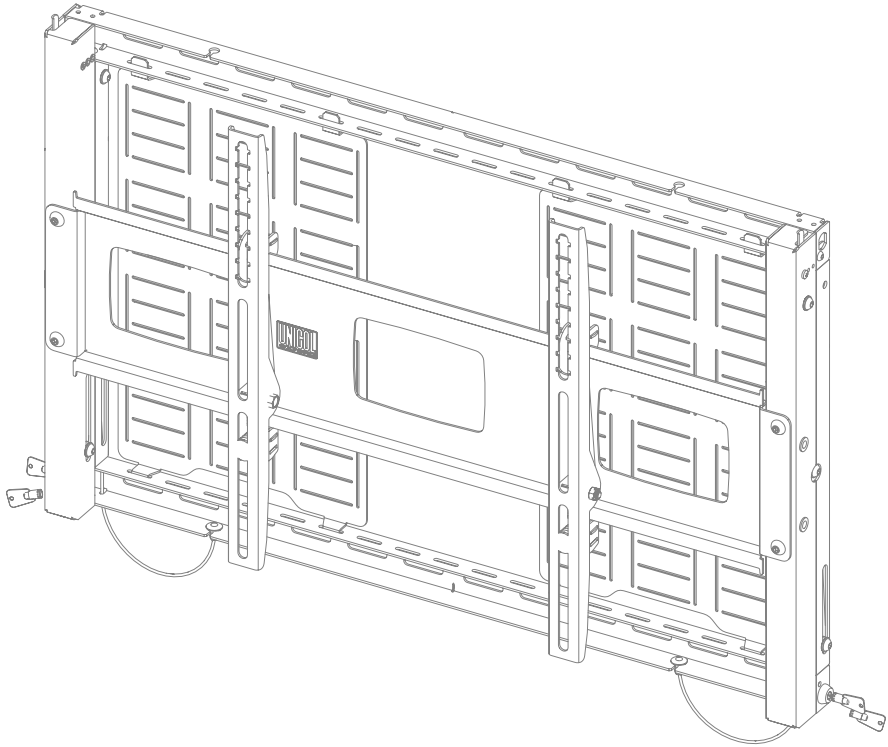


ASMW1 TECHNICAL DRAWING



ASMW2 TECHNICAL DRAWING





Any Questions?

+44 (0)1865 767676

sales@unicol.com

unicol.com/instructions