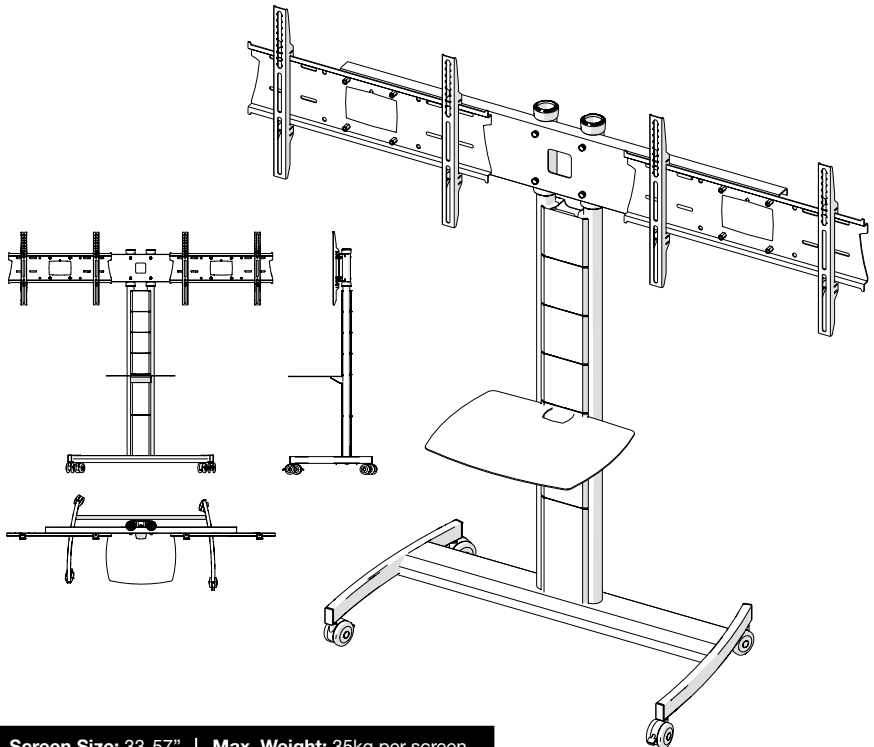


## ACHP / ACHT



**Screen Size:** 33-57" | **Max. Weight:** 35kg per screen

*\*Please check model specific details before installing\**

Revised 22/04/21

### WARNING

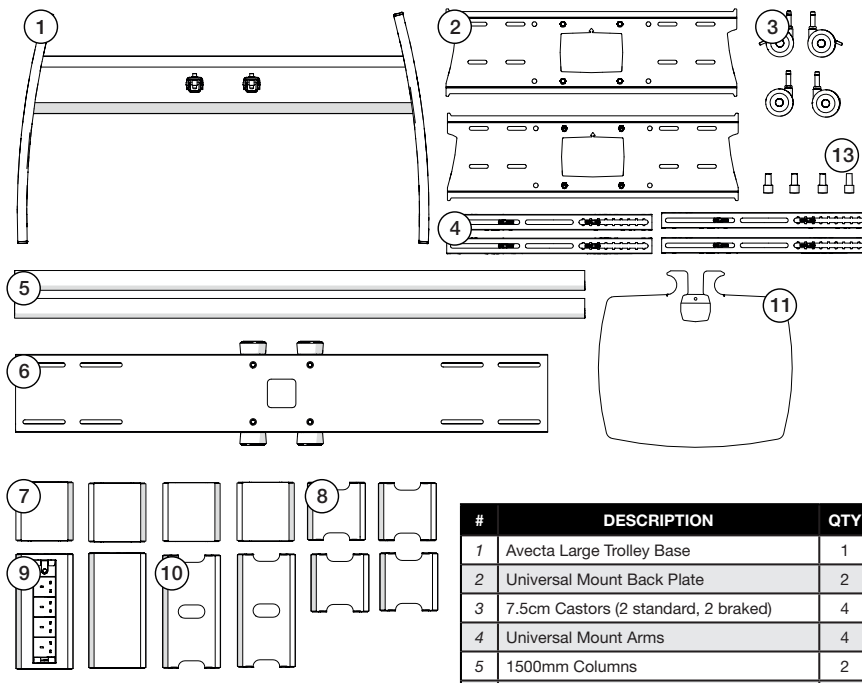
Please carefully inspect the product before assembling. If you notice any apparent damage, call your carrier claims agent and do not continue the installation until it has been reviewed. Please watch for pinch points. Do not put your fingers between moveable parts. Do not tamper with or disassemble any spring loaded parts. Before installing, make sure that the supporting surface will support five times the combined load of the solution and the hardware. Never exceed the maximum load capacity. Please also layout all components to ensure that you have all of the required parts before proceeding (see BOM list on following page). Use of this product for anything other than its specified use may result in failure or personal injury. This product is intended for indoor use only. We recommend using a qualified trades person for installation. Use an assistant or lifting equipment to lift and position products.

*For support, please call: +44 (0)1865 767676 or email: sales@unicol.com*

#	TOOLS REQUIRED
1	Pozi Head Screwdriver
2	17mm Spanner
3	5mm Allen Key
4	3/16th Allen Key

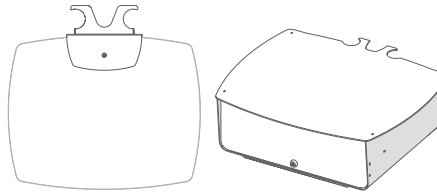
INSTALLERS REQUIRED
<b>2</b>

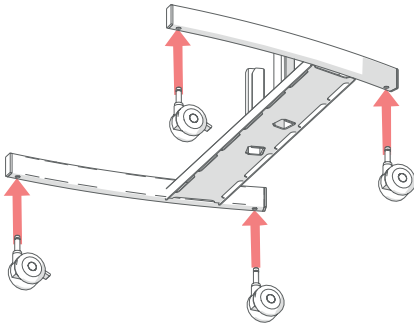
**COMPONENTS**



#	DESCRIPTION	QTY
1	Avecta Large Trolley Base	1
2	Universal Mount Back Plate	2
3	7.5cm Castors (2 standard, 2 braked)	4
4	Universal Mount Arms	4
5	1500mm Columns	2
6	Span Unit with Column Adapter	1
7	15cm Mast Front In-Fill Panel	4
8	15cm Mast Rear In-Fill Panel	4
9	30cm Mast Front In-Fill Panel	2
10	30cm Mast Rear In-Fill Panel	2
11	AVP1 500x400mm Shelf	1
12	M10 x 20 Hex Head Screws	8
13	Alternative: Non-Marking Rubber Feet	4
14	Optional: Column Bungs	2

**Alternative Accessories**

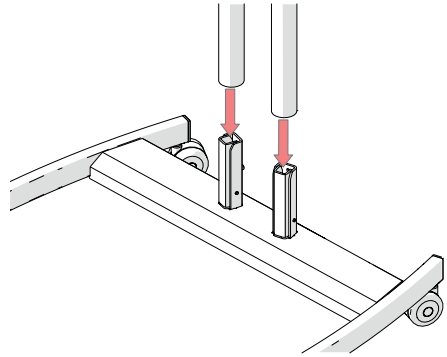




### STEP 1

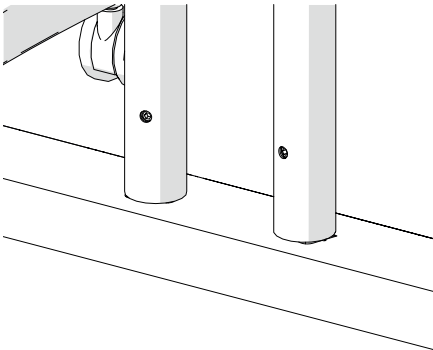
Turn the base upside down and push each castor until it clicks into place. Please ensure that the castors with brakes are located at the front. Place base on the floor and apply brakes on front wheels by pressing brake lever down.

*See last page for other base options*



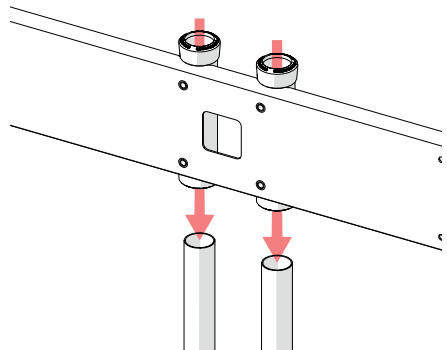
### STEP 2

Place the 2 columns with holes, located approx 75mm from the bottom, over the crocodile lugs on the base.



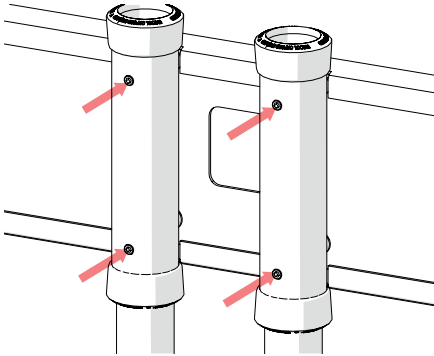
### STEP 3

Ensure that the holes line up with the grub screws at the rear of the crocodile lugs. Leave the grub screws loose for now.



### STEP 4

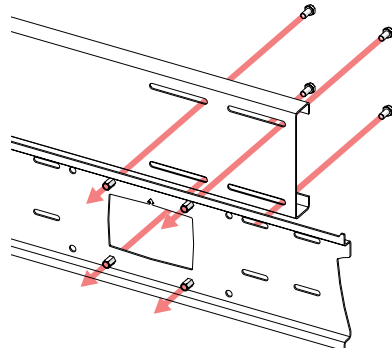
Place the span unit and column adapter over the top of the two columns (ensuring the grub screws are on the same side as the rear of the base).



### STEP 5

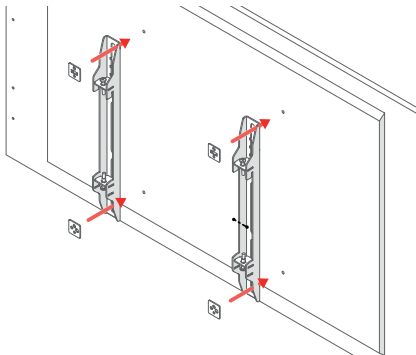
Once placed over columns and at the desired height, tighten the two grub screws to secure into place. Tighten up the base grub screws to secure.

*Optional: Use the column bungs to finish off the columns by gently pushing them into the top.*



### STEP 6

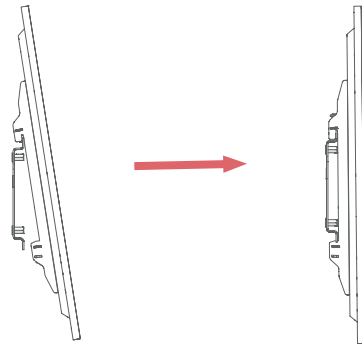
Line the back plate up with the span unit, as shown above. Fix 4x M10x20 screws from behind the mount adapter and into the 4 rivet nuts located on the back plate. Ensure back plate is secure and screws are tightened. This can be adjusted later. Repeat for the other side.



### STEP 7

Utilising the tag locks and fixing pack provided with your mount, attach the arms to the back of your screen.

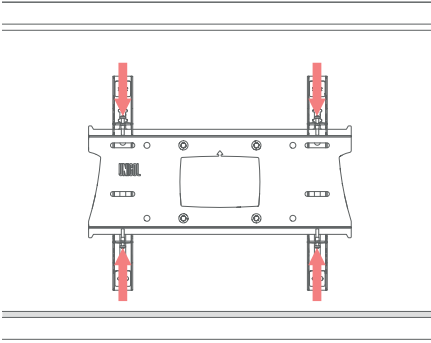
*Ensure the arms are the correct way up before tightening - the 'hook' part of the arm should be at the top.*



### STEP 8

Using another team member, lift the screen up and gradually offer it up to the back plate. Gently tilting the screen forward, hook the arms over the lip of the back plate and lower once in position.

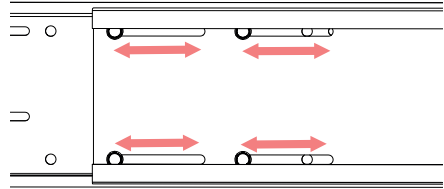
Centre the screen horizontally by sliding from side to side until you are happy with the position.



### STEP 9

Once centered, ensure the bottom screws are not screwed tight and screw down the top screws to level the screen. Once level tighten bottom screws to secure the mount. **ALT:** If using tilting arms, this is when you can adjust them to suit.

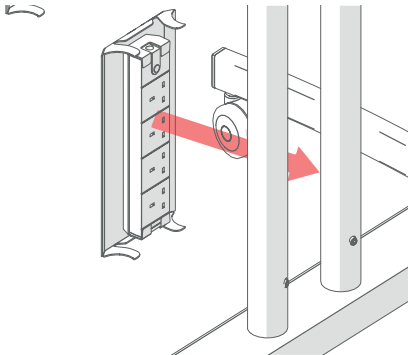
Repeat 7 - 9 for the second screen.



### STEP 10

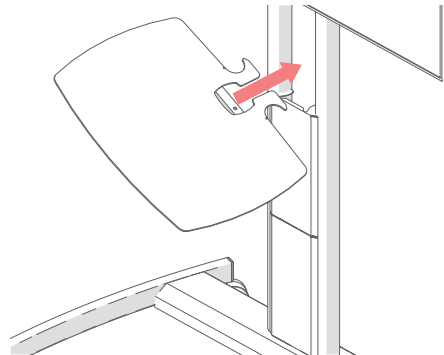
This step will require two people.

Once both screens are secure on the backplate, gently slide the screen and backplate from left to right as required on the span bar to centre both screens. Tighten fixings to secure.



### STEP 11

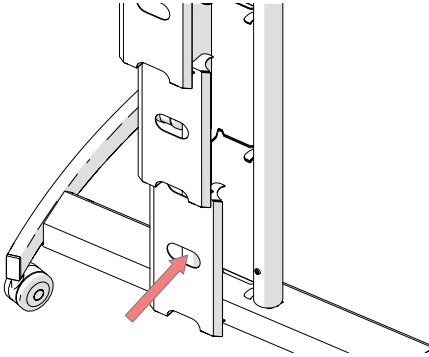
Identify the front mast in-fill panels (the 4 with cutouts go to the rear). Start with the panel that has the 4-way power socket attached clip into place. Cable up.



### STEP 12

If fitting a shelf, choose the height you'd like and insert between the panels as you're clipping them into position.

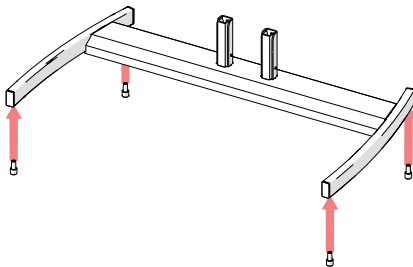
To insert, angle the shelf as you offer it up to the columns. Level out and rest it in position. Unlike the infill panels, the shelf does not clip into place.



### STEP 13

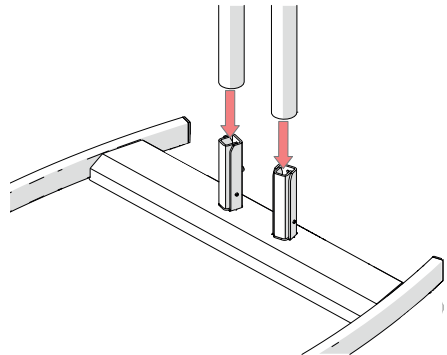
Identify remaining mast in-fill panels. Start from the bottom and clip 2 of the 3 larger rear panels in, threading cabling through where necessary.

### STAND OPTION



### STEP 1

Turn the base upside down and push each non-marking rubber foot until it clicks into place.



### STEP 2

Place the 2 columns with holes, located approx 75mm from the bottom, over the crocodile lugs on the base.

*Continue with Step 3 on page 3.*