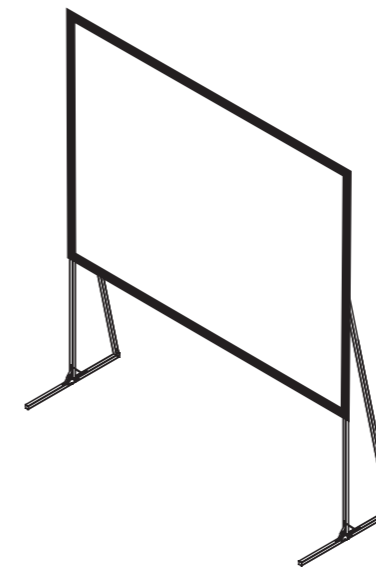




Luxury Fast Fold Projection Screen

- Attractive Styling
- Easy Installation with no tools required.
- Very flat surface
- Gain of 0.8 for front projection or 1.5 for rear projection
- Ideal for large venue, temporary large screen requirements or theatres.



Instruction Manual

Technical Assistance

If you need help with installing this screen please visit
www.sapphireav.com

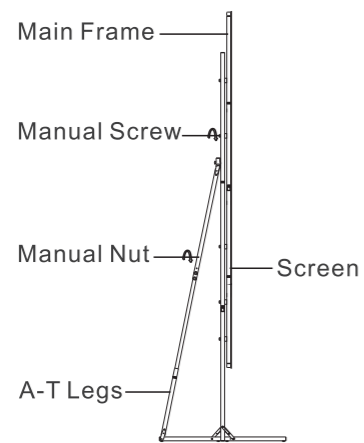


Thank you for purchasing a Sapphire screen.

Great care and skill has gone into the production of this product and you should receive many years of use if you follow these instructions for installation and after care.

Preparing your Screen for installation

Accessories:(picture1)

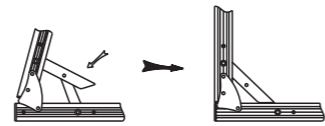


Side View (Picture 1)

1. Open the plastic case and remove the bag with the screen fabric and the frame sections. Please lay all the parts needed on a flat surface with no possibility of dirty or damage as you prepare to put the screen together.

At this stage we recommend that you do not unpack the screen fabric.

2. The main frame should be assembled first. This is the largest metal structure in the case and it can be assembled in a matter of minutes.
3. Start at any point and begin locking the sections into place so that they form a continuous bar. They simply click and lock they fully extended See (picture 3)

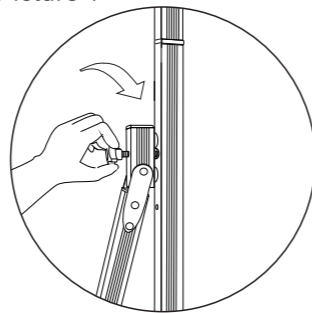


(Picture 2)



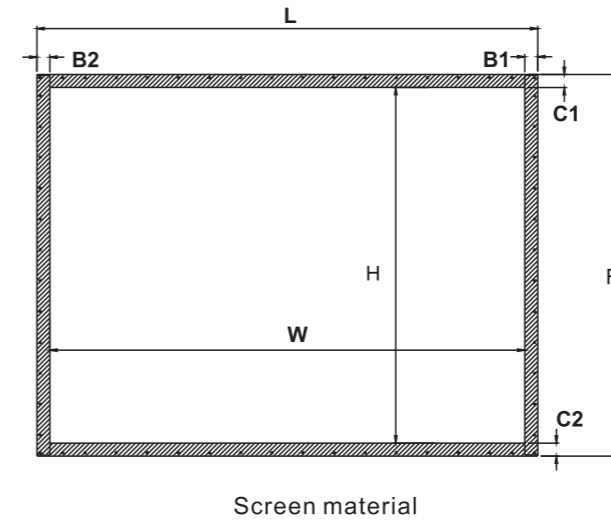
(Picture 3)

Picture 4



4. At this point the corners should be obvious and you will need to lock these in position to ensure stability. Simply press in the metal lock pin as indicated in the picture 2 Use the same way fully extend the two legs

5. At this stage unpack the screen fabric and lay it flat on the ground. Make sure that Slightly glossy side is down to ensure that you do not mark or dirty the screen fabric. At this stage it may be easier to tip the screen frame backwards so that the poppers are facing up ready to receive the screen fabric. With rear projection this is even more critical as both sides of the screen fabric are used.



Picture 5

6. Starting at the top home the fabric onto each popper until it clicks. Continue all around until you have only the bottom left to fix. At this stage you may find it easier to pull the screen upright as there is an amount of tension required to complete the last few poppers and this is easier if the fabric is not weighted against you. see (picture 5)

7. At this stage you may find the screen has a few creases, especially if it has been folded for some time. Leave the screen up and in a warm temperature the creases should swiftly disappear due to the tension in the fabric now it is assembled.

8. You now have a frame that is complete and locked into position and two legs. You now need to take the legs and using the screw provided attach these to the rear of the frame simultaneously (you can tell the rear as the front has poppers for fastening the screen fabric). There are threaded sections on the back of the main frame at various intervals and you can adjust the height of the screen to suit your requirements. The section with the hinge going upwards goes at the rear of the screen. See (Picture 1, 4)

Taking Care of your Sapphire Screen Fabric

- This fabric is a consumable item and will eventually need replacing. However the length of the life is determined by the care it gets in use and storage. If the screen is not used we recommend that it be taken out and placed on the frame every three months to ensure that the creases will come out easily when in use.
- If it is likely not to be used for a long time then you may be better off taking out of the box and rolling the screen onto a tube. The best place to obtain a tube cheaply if a carpet shop as they throw many away every day and will often have the original plastic covers as well to go over the screen when rolled on the tube.
- Always ensure that the fabric is kept away from anything sharp or dirty and is stored in the bag provided or rolled onto a tube and protected from dust when not in use.
- In the event that the screen fabric becomes dirty please do not use chemicals to clean it. You will need to use a soft damp cloth and gently stroke the affected area.

Warranty

Your product is covered for one year from the date of purchase against manufacturing defect. The fabric will not be automatically covered but will need to be returned for evaluation to ensure that any damage is not as a result of operator damage.