

KRAMER

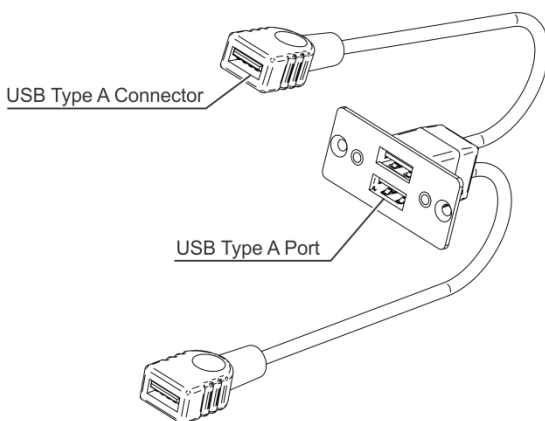


MODEL:

WU-2AA

2 x USB 2.0 (A/A) Wall Plate Insert

Congratulations on purchasing your Kramer **WU-2AA**, a single wall plate insert with two USB 2.0 Type A ports and two cables with USB connectors at the rear.



P/N: 2900-300557



Rev: 1



SAFETY WARNING

Disconnect the unit from the power supply before opening and servicing

For the latest information on our products and a list of Kramer distributors, visit our Web site where updates to this user manual may be found.

We welcome your questions, comments, and feedback.

www.kramerAV.com
info@kramerel.com