



PUV-1510RX

HDBaseT™ 5Play™ Receiver
(inc. PoH & single LAN, up to 100m)

OPERATION MANUAL

DISCLAIMERS

The information in this manual has been carefully checked and is believed to be accurate. CYP (UK) Ltd assumes no responsibility for any infringements of patents or other rights of third parties which may result from its use.

CYP (UK) Ltd assumes no responsibility for any inaccuracies that may be contained in this document. CYP (UK) Ltd also makes no commitment to update or to keep current the information contained in this document.

CYP (UK) Ltd reserves the right to make improvements to this document and/or product at any time and without notice.

COPYRIGHT NOTICE

No part of this document may be reproduced, transmitted, transcribed, stored in a retrieval system, or any of its part translated into any language or computer file, in any form or by any means—electronic, mechanical, magnetic, optical, chemical, manual, or otherwise—without express written permission and consent from CYP (UK) Ltd.

© Copyright 2019 by CYP (UK) Ltd.

All Rights Reserved.

Version 1.1

TRADEMARK ACKNOWLEDGMENTS

All products or service names mentioned in this document may be trademarks of the companies with which they are associated.

SAFETY PRECAUTIONS

Please read all instructions before attempting to unpack, install or operate this equipment and before connecting the power supply.

Please keep the following in mind as you unpack and install this equipment:

- Always follow basic safety precautions to reduce the risk of fire, electrical shock and injury to persons.
- To prevent fire or shock hazard, do not expose the unit to rain, moisture or install this product near water.
- Never spill liquid of any kind on or into this product.
- Never push an object of any kind into this product through any openings or empty slots in the unit, as you may damage parts inside the unit.
- Do not attach the power supply cabling to building surfaces.
- Use only the supplied power supply unit (PSU). Do not use the PSU if it is damaged.
- Do not allow anything to rest on the power cabling or allow any weight to be placed upon it or any person walk on it.
- To protect the unit from overheating, do not block any vents or openings in the unit housing that provide ventilation and allow for sufficient space for air to circulate around the unit.

REVISION HISTORY

VERSION NO.	DATE	SUMMARY OF CHANGE
v1.00	16/05/2019	First release

CONTENTS

1. Introduction	6
2. Applications	6
3. Package Contents	6
4. System Requirements	6
5. Features	7
6. Operation Controls and Functions	8
6.1 Front Panel	8
6.2 Rear Panel	9
6.3. IR Cable Pin Assignment	10
6.4. D-Sub 9 Pin Definitions	10
7. Connection Diagram	11
8. Specifications	12
8.1 CAT5e/6/7 Cable Specification	13
8.2 Timing Support Chart	14
9. Acronyms	15

1. INTRODUCTION

The HDMI over single CAT5e/6/7 Receiver can receive uncompressed audio/video and IP data over a single run of CAT5e/6/7 cable at a distance up to 100 meter. It has the added benefit of control through the built-in RS-232 and IR ports and a bi-directional LAN serving connection. The Receiver (PD) can be powered by the PoE 48V function of the Transmitter (PSE), allowing for greater flexibility in installations.

2. APPLICATIONS

- /// 48V PoE from Transmitter (PSE) to Receiver (PD)
- /// Household entertainment sharing and control
- /// Lecture room display and control
- /// Showroom display and control
- /// Meeting room presentation and control
- /// Classroom display and control

3. PACKAGE CONTENTS

- /// 1 x CAT5e/6/7 over HDMI Receiver
- /// 1 x IR Extender

4. SYSTEM REQUIREMENTS

Input source equipment such as PS3/Blu-ray player and output HD TV/ display.

5. FEATURES

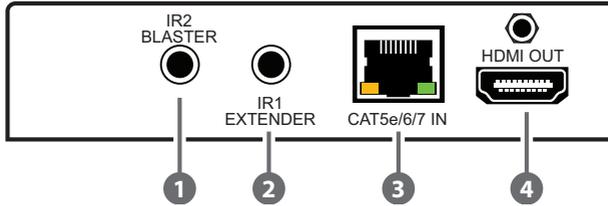
- /// HDMI with 3D, 4K2K support, HDMI & DVI Compliant
- /// Supports CEC bypass
- /// Simultaneous reception of uncompressed data over a single 100m/328ft CAT5e/6/7 cable
- /// 5Play™ convergence: HDMI, LAN, PoE & Control (IR & RS-2232)
- /// Supports resolution up to 4K2K@50/60 & YUV_420 and 21:9
- /// Supports standard 48V from Transmitter (PSE) to Receiver (PD)
- /// Installation Friendly
- /// Supports HDMI Output cable distance up to 5m at 4K2K@50/60 & YUV_420

Note:

Displaying HDMI 3D and 4K2K contents, equivalent source signal and HDMI cable are required in order to secure the quality.

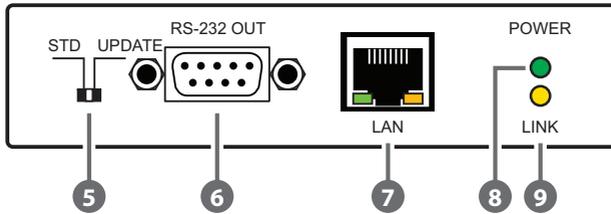
6. OPERATION CONTROLS AND FUNCTIONS

6.1 Front Panel



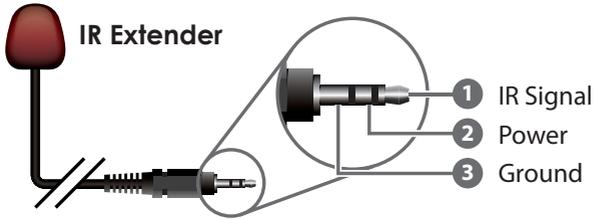
- 1 **IR2 BLASTER:** Connect to the supplied IR Blaster cable for IR signal transmission. Place the IR Blaster in direct line-of-sight of the equipment to be controlled.
- 2 **IR1 EXTENDER:** Connect to the supplied IR Extender cables for IR signal reception. Ensure that remote being used is within the direct line-of-sight of the IR Extender.
- 3 **CAT5e/6/7:** Connect to the Transmitter unit with a single CAT5e/6/7 cable for transmission of all data signals.
- 4 **HDMI OUT:** Connect to a HDMI equipped TV/monitor for display of the HDMI input source signal.

6.2 Rear Panel



- 1 STD/UPDATE Switch:** This switch is reserved for factory use only.
- 2 RS-232 OUT:** Connect to the device that is to be controlled (via D-Sub 9-pin female cable) by RS-232 commands.
- 3 LAN:** Connect to a PC or Laptop to utilise the Internet or network function.
- 4 POWER LED:** This LED will illuminate when the device is connected to a power supply.
- 5 LINK LED:** This LED will illuminate when both the input source and output display signals are connected through CAT cable. When it blinks regularly it states the display is NOT sending signals to Receiver but the Transmitter and Receiver are linked and if it blinks irregularly it indicates an error has occurred.

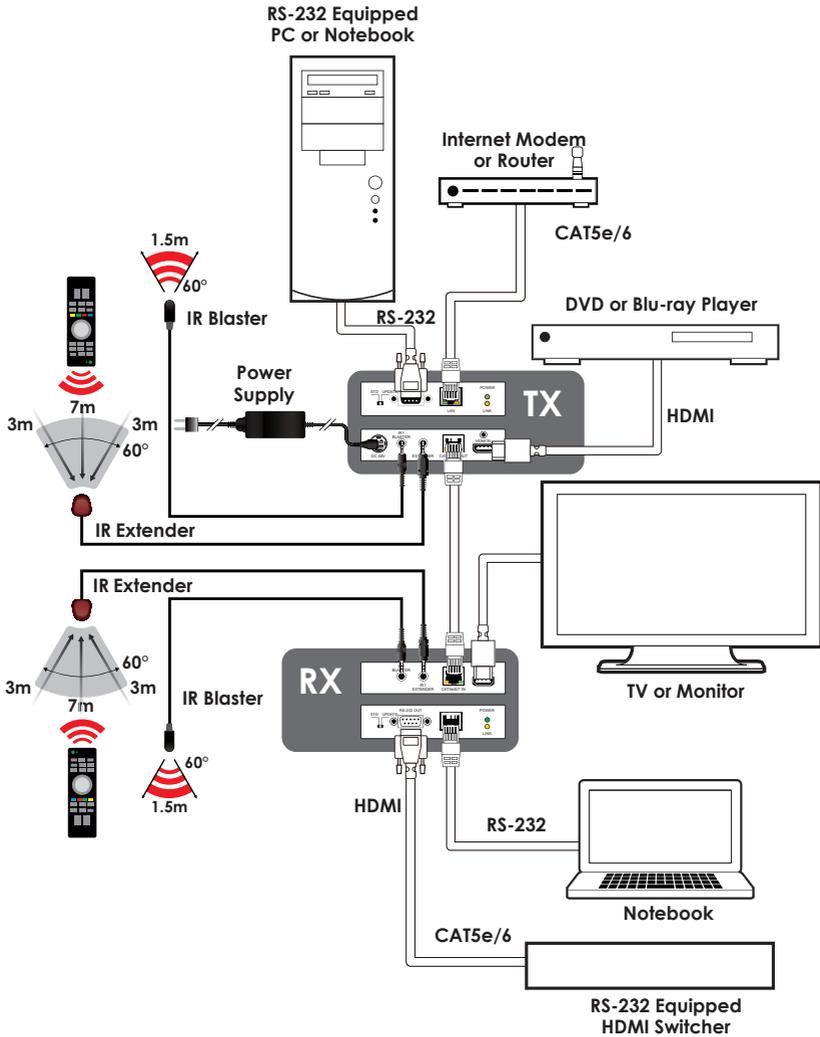
6.3. IR Cable Pin Assignment



6.4. D-Sub 9 Pin Definitions

Pin	Define TX / RX
1	N/C
2	TxD / RxD
3	RxD / TxD
4	N/C
5	GND
6	N/C
7	N/C
8	N/C
9	N/C

7. CONNECTION DIAGRAM



8. SPECIFICATIONS

Video Bandwidth	340MHz / 10.2Gbps
Inputs	1 x CAT5e/6/7, 1 x IR Extender
Outputs	1 x HDMI, 1 x RS-232, 1 X IR Blaster, 1 x LAN
HDMI Resolution	HD: 480i~4K2K@24/25/30/50/60 & YUV_420 PC: VGA ~ WUXGA (RB)
HDMI Cable Distance	Out: 10m/1080p@8-bit, 5m/1080p@12-bit and 5m@4K2K
CAT5e/6/7 I/O Cable Distance	Up to 100m
IR Frequency	30~50kHz
ESD Protection	Human Body Model: ±8 kV (air-gap discharge) ±4 kV (contact discharge)
Power Supply	48 V/0.83 A DC (US/EU Standards, CE/FCC/UL certified)
Dimensions	108mm (W) x 108mm (D) x 25mm (H) 108mm (W) x 116mm (D) x 29mm (H)
Weight	366g
Chassis Material	Metal
Silkscreen Colour	Black
Power Consumption	13.5w (Include Transmitter)
Operating Temperature	0 °C~40 °C/32 °F ~104 °F
Storage Temperature	-20 °C~60 °C/-4 °F~140 °F
Relative Humidity	20~90 % RH (non-condensing)

8.1 CAT5e/6/7 Cable Specification

Cable Type	Range	Pixel clock rate	Video Data Rate	Supported Video
CAT5e/6/7	100 m	≤ 225 MHz	≤ 5.3 Gbps (HD Video)	Up to 1080p, 60 Hz, 36 bits, 3D (data rates lower than 5.3 Gbps or below 225 MHz TMDS clock).
	70 m/CAT5e/6 100 m/CAT7	> 225 MHz	> 5.3 Gbps (Ultra HD Video)	4K2K, 30Hz video formats

8.2 Timing Support Chart

	INPUT	OUTPUT
640x480@60/72/75/85	✓	✓
800x600@56/60/72/75/85	✓	✓
1024x768@60/70/75/85	✓	✓
1280x720@60	✓	✓
1280x1024@60	✓	✓
1600x1200@60	✓	✓
1920x1200@60RB	✓	✓
3840x2160p@24/25/30	✓	✓
4096x2160p@24	✓	✓
4096x2160p@50/60(YUV_420)	✓	✓
480i/576i	✓	✓
480P/576P	✓	✓
720P@50/60	✓	✓
1080i@50/60	✓	✓
1080P@50/60	✓	✓
1080P@24/25/30	✓	✓

9. ACRONYMS

ACRONYM	COMPLETE TERM
CAT5e	Category 5 Cable
CAT6	Category 6 Cable
CAT7	Category 7 Cable
CEC	Consumer Electronics Control
DVI	Digital Visual Interface
HDCP	High-bandwidth Digital Content Protection
HDMI	High Definition Multimedia Interface
IR	Infrared
PD	Powered Device
PSE	Power Sourcing Equipment



CYP (UK) Ltd., Unit 7, Shepperton Business Park, Govett Avenue, Shepperton,
Middlesex, TW17 8BA

Tel: +44 (0) 20 3137 9180 | Fax: +44 (0) 20 3137 6279

Email: sales@cypeurope.com

www.cypeurope.com

v1.00