



Installation Guide

Celexon ceiling recessed electric screen Expert

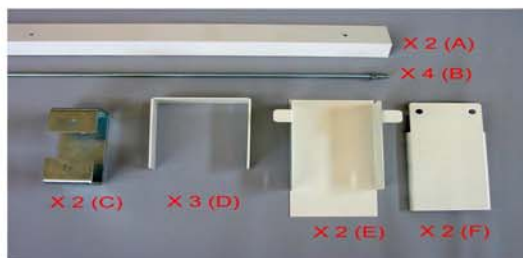


Thank you for purchasing this celexon product.

Please read the installation guide carefully.

In the box

- 2 x long, white, L shape pre-drilled, flush brackets (50x30x3cm) (A)
- 4 x threaded rods, length: 1m (B)
- 2 x mounting ceiling brackets (C)
- 3 x U shape brackets, white (D)
- 2 x access side panels (E)
- 2 x flush panels, white (F)

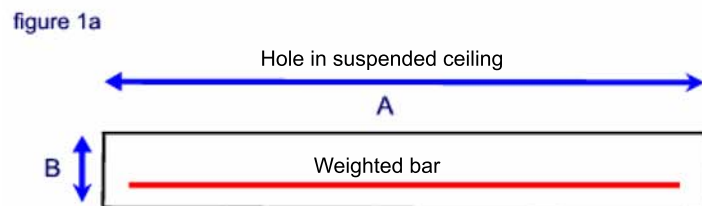


Before starting the installation of the ceiling trim kit, cut a rectangular hole into the suspended ceiling. Then drill holes into the load bearing ceiling to install the mounting brackets (C) and the trim kit.

Depending on the model of the product, please follow the specific instructions. During installation, please pay attention to the position of the weighted bar.

Installation

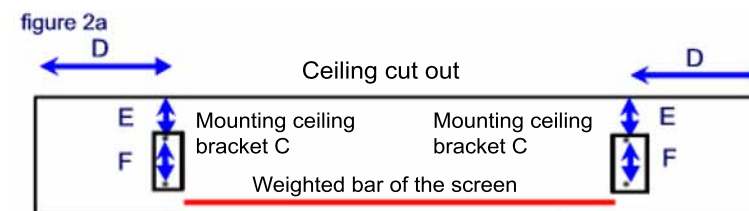
Cut the hole into the suspended ceiling (fig 1a). "L" is the width of the viewing area of the screen.



MODEL	Width A (cm)	Depth B (cm)
celexon Expert	L + 51	13
celexon Expert XL	L + 53	15,5

Installation

Drill the holes for the ceiling brackets (C) in the load bearing ceiling. Follow guidance in fig 2a. Mark out on the ceiling before drilling.



MODEL	D (CM)	E (CM)	F (CM)
celexon Expert	13,5	3,5	6
celexon Expert XL	13,5	5,7	6

Once the holes have been drilled, install the bracket frame/trimkit.

Attach the 3 U shaped brackets to the two L flush brackets (A). Use the screws provided and the pre-drilled holes (see fig 3a). Please ensure the correct positioning of the upper central screws (see fig 3b).

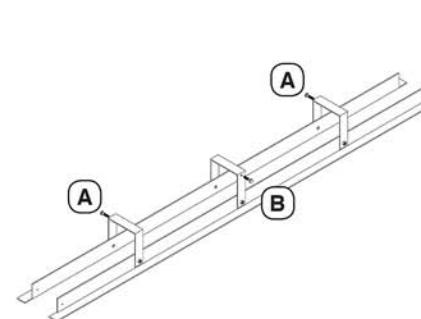


Figure 3a

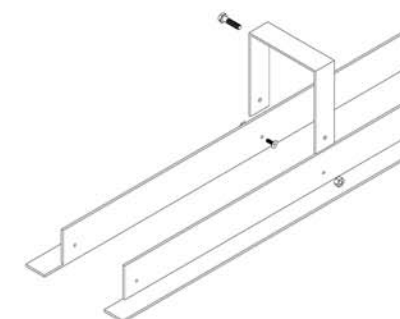


Figure 3b

Installation

Attach the two access side panels (E) to the ends of the L shaped brackets (see fig 4a). Now that the trimkit has been constructed, you can attach it to the screen housing via the U brackets (see fig 4c).

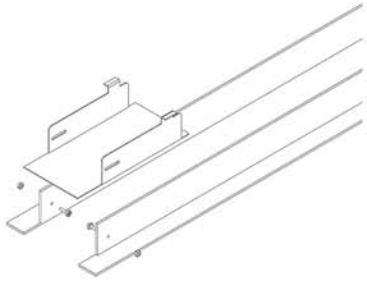


Figure 4a

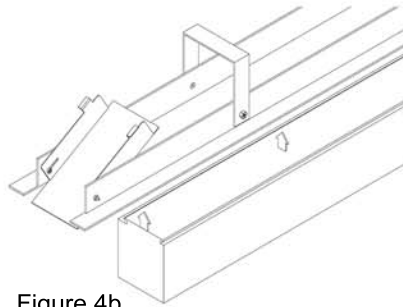


Figure 4b

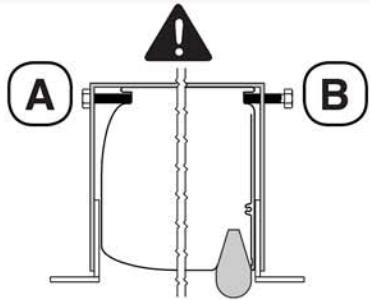


Figure 4c

Attach the access side brackets (F) to the left and right ends of the screen housing (see fig 5a).

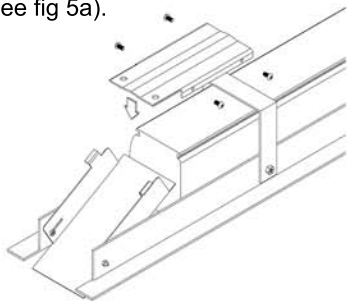
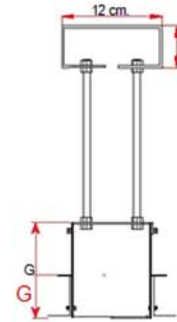


Figure 5a

Fix the mounting ceiling brackets C to the load bearing ceiling (fig 6a) using the predrilled holes (see table 2a).

Installation

Cut the threaded rods (B) to length depending on how much false ceiling there is. Please take into account the height of the ceiling bracket (C) and the heights of the housing (G) as per the diagram below.



MODEL	G (cm)
Ceiling recessed screen Expert	11.7
Ceiling recessed screen Expert XL	13.7

Attach the threaded rods to the mounting brackets using the nuts supplied. Open the side panels of the installation kit and lift the whole construction into the ceiling cut out. Attach the threaded rods to the side panels of the screen (see fig 8a) using the nuts and bolts supplied. Close the access side panels and align with the left and right ends of the L brackets respectively (see fig 8b).

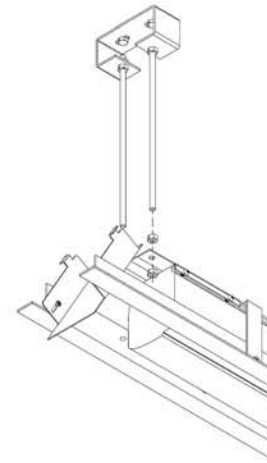


Figure 8a

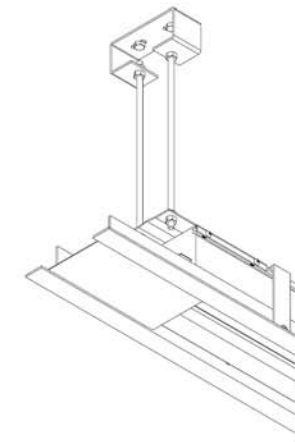


Figure 8b

The installation is complete.